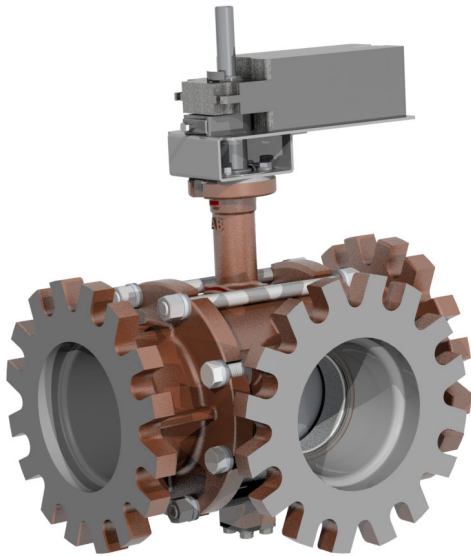
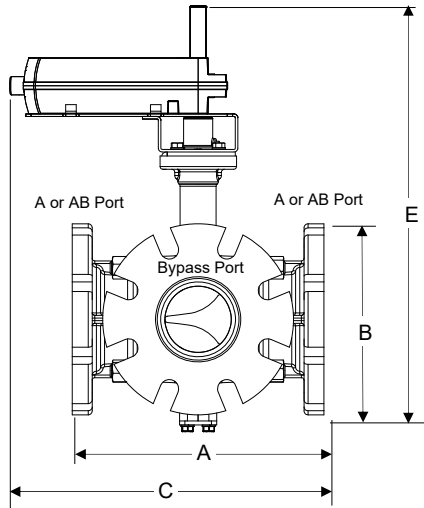


**SPECIFICATIONS**



**Static Pressure/Temp:** 240 PSI / -4°F to 250°F  
**Service:** Chilled water, hot water, up to 50% Glycol, or contact factory for additional fluids.  
**Body Material:** Cast Iron ASTM A395, 60-40-18  
**End Connections:** ANSI Class 125  
**Stem:** Stainless Steel  
**Stem Seals:** EPDM O-Rings  
**Ball Valve:** Stainless Steel  
**Ball Seals:** Teflon Seals  
**Angle of Rotation:** 0–90°  
**Leakage:** ANSI Class IV Leakage Rate.<sup>1</sup>

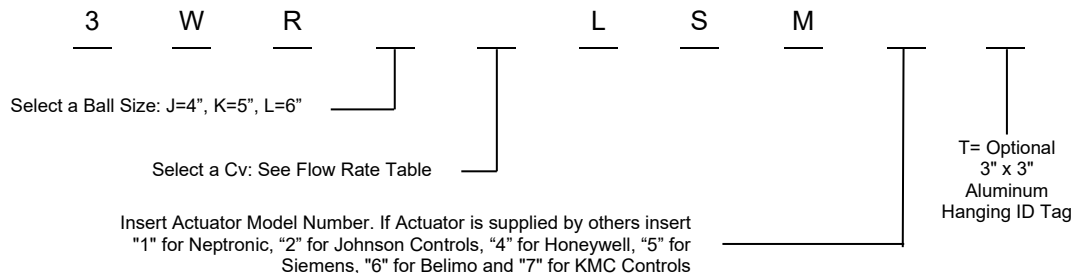


**DIMENSIONS & WEIGHTS (NOMINAL) (measured in inches and lbs unless noted)**

All dimensions are for planning purposes only and may change without notice.

SIZE	MODEL NO.	Cv	A:LENGTH	B:HEIGHT	C:LENGTH <sup>2</sup>	D:DEPTH (NOT SHOWN)	E:HEIGHT	WEIGHT
4"	3WRJ__	91, 118, 152, 197, 254, 327 <sup>3</sup>	11.9	9.0	14.3	10.5	19.4	75
5"	3WRK__	144, 185, 240, 309, 400 <sup>3</sup>	13.9	10.0	15.3	12.0	20.3	90
6"	3WRL__	208, 268, 346, 441, 577, 650 <sup>3</sup>	15.9	11.0	16.3	13.4	21.4	105

**MODEL NUMBER SELECTION**



**NOTES**

<sup>1</sup> Leakage rate based on largest Cv of the ball. Cv of 327, 400, and 560 are ANSI Class III.  
<sup>2</sup> Dimension "C" is maximum length, which is measured from end flange or mounting plate, whichever extends farther.  
<sup>3</sup> Cv of 327, 400, and 650 are only suitable for mixing applications. All other Cvs are suitable for mixing or diverting applications.

THROUGH Cv<sup>4</sup> SELECTION AND FLOW RATE TABLE (GPM)

LINE SIZE	MODEL NO.	CLOSE OFF $\Delta$ P <sup>5</sup>	FLOWRATE (GPM) @ DIFFERENTIAL PRESSURE (PSI) ACROSS VALVE											
			2-Position HVAC Apps		HVAC Modulating Apps									
			Cv <sup>6</sup>		0.5	1.0	1.5	2.0	2.5	3.0	3.5	4.0	4.5	5.0
4"	3WRJA	70PSI	64.3	91	111	129	144	158	170	182	193	203	241	288
	3WRJB		83.4	118	145	167	187	204	221	236	250	264	312	373
	3WRJC		107.5	152	186	215	240	263	284	304	322	340	402	481
	3WRJD		139.3	197	241	279	311	341	369	394	418	441	521	623
	3WRJE		179.6	254	311	359	402	440	475	508	539	568	672	803
	3WRJF		231.2	327 <sup>3</sup>	400	462	517	566	612	654	694	731	-	-
5"	3WRKA	70PSI	101.8	144	176	204	228	249	269	288	305	322	381	455
	3WRKB		130.8	185	227	262	293	320	346	370	392	414	489	585
	3WRKC		169.7	240	294	339	379	416	449	480	509	537	635	759
	3WRKD		218.5	309	378	437	489	535	578	618	655	691	818	-
	3WRKE		282.8	400 <sup>3</sup>	490	566	632	693	748	800	849	894	-	-
6"	3WRLA	70PSI	147.1	208	255	294	329	360	389	416	441	465	550	658
	3WRLB		189.5	268	328	379	424	464	501	536	569	599	709	847
	3WRLC		244.7	346	424	489	547	599	647	692	734	774	915 <sup>7</sup>	-
	3WRLD		311.8	441	540	624	697	764	825	882	936 <sup>7</sup>	-	-	-
	3WRLF		408.0	577	707	816	912 <sup>7</sup>	999 <sup>7</sup>	-	-	-	-	-	-
	3WRLF		459.6	650 <sup>3</sup>	796	919 <sup>7</sup>	-	-	-	-	-	-	-	-

ACTUATOR SELECTION



The Griswold Controls Universal Mounting Plate on all 4" to 6" valves is compatible with the following actuators besides the actuators detailed in the following tables. Contact the factory if you have a different model number not listed below.

- Honeywell:** ML6284A1027, MN6120A1002, MN6120A1200, MN6134A1003, MN7220A2205, MN7510A2209, MN7510A2001, MN6110A1201, MN6110A1003, MS3110/MS3120/ MS4110/MS4120/ MS4610/MS4620/ MS7110/MS7120/ MS7510/MS7520/ MS8110/MS8120
- Schneider Electric:** MF41-6153, MS41-6153, MA4x-7153, MA4x-7153-502, MS4x-7153, MS4x-7153-502, MF4x-7153, MF4x-7153-502,
- Johnson Controls:** M9116-xxx-2, 9124-xxx-2, 9132-xxx-2, M9216-xGx-2, M9208-Bxx-3, M9106-xGx, M9208-GGx-x, M9109, M9220-xxx-3
- Belimo:** AM24, AM24-SR, AF24, AF24-SR, AFB24, AFB24-SR, AFX24, NFB24, NFX24, AFB24-S, AFB24-SR-S, AFX24-S, NFB24-S, NFX24-S, AFB24-MFT, AFB24-SR-MFT, AFX24-MFT, NFB24-MFT, NFX24-MFT, AFB24-MFT-S, AFB24-SR-MFT-S, AFX24-MFT-S, NFB24-MFT-S, NFX24-MFT-S

NOTES

- <sup>4</sup> Bypass Cv is 80% of through Cv
- <sup>5</sup> Close-Off Pressures measured with 88 in-lb. actuator for 4"-5" valves. Close-Off Pressures measured with 140 in-lb actuator for 6" valve, up to 700 gpm. For flowrates greater than 700 gpm a 200 in-lb actuator is recommended. The "Close Off Pressure" is the maximum allowable pressure drop across the valve body when the valve is fully closed.
- <sup>6</sup> Cv is defined as the quantity of water in GPM at 60°F that will flow through a given valve with a pressure drop of 1PSI. Hence the 1.0 PSI pressure differential column in the table above is equivalent to the Cv value.
- <sup>7</sup> Due to high velocity, flowrates of 900 gpm and higher may result in water noise.

4"-5" valves require 88 in-lb. actuator. 6" valves require 140 in-lb actuator up to 700 gpm. For flowrates greater than 700 gpm a 200 in-lb actuator is recommended.

<b>SIEMENS</b>	<b>GLB131.1P</b>	<b>GLB 161.1P</b>	<b>GEB131.1P</b>	<b>GEB161.1P</b>
Power Supply	24Vac	24Vac	24Vac	24Vac
Torque	88 in-lb	88 in-lb	132 in-lb	132 in-lb
Control Signal: 3 Point	•		•	
Control Signal: Modulating 0–10 VDC		•		•
Speed	125 sec	125 sec	125 sec	125 sec
Built-in Auxiliary Switches				
Position Feedback				•
Operating Power	2.3 VA	3.3 VA	3 VA	5 VA
Mounting Clip	9656-762	9656-762	9656-817	9656-817
Weight	1.1 pounds	1.1 pounds	2.2 pounds	2.2 pounds
Enclosure	Nema 2	Nema 2	Nema 1	Nema 1

<b>SIEMENS</b>	<b>GCA121.1P</b>	<b>GCA131.1P</b>	<b>GCA161.1P</b>
Power Supply	24Vac/dc	24Vac/dc	24Vac/dc
Torque	142 in-lb	142 in-lb	142 in-lb
Control Signal: On/Off	•		
Control Signal: 3 Point		•	
Control Signal: Modulating 0–10 VDC			•
Speed	90 sec	90 sec	90 sec
Built-in Auxiliary Switches			
Fail Safe (Spring Return)	•	•	•
Operating Power	7 VA	7 VA	7 VA
Mounting Clip	9656-759	9656-759	9656-759
Weight	4.4 pounds	4.4 pounds	4.4 pounds

<b>KMC CONTROLS</b>	<b>MEP-4951</b>	<b>MEP-4952</b>	<b>MEP-4972</b>	<b>MEP-4954</b>	<b>MEP-4974</b>
Power Supply	24 Vac	24 Vac	24 Vac	24 Vac	24 Vac
Torque	90 in-lb	90 in-lb	90 in-lb	90 in-lb	90in-lb
Control Signal: On/Off				•	•
Control Signal: 3 Point	•				
Control Signal:		Modulating 2-10VDC	Modulating 2-10VDC		
Speed	< 45 sec	< 80 sec	< 80 sec	< 45 sec	< 45 sec
Fail Safe (Capacitor)	•	•	•	•	•
Built-in Auxiliary Switches			•		•
Operating Power	6VA	6 VA	6 VA	6 VA	6 VA
Mounting Clip	9656-762	9656-762	9656-762	9656-762	9656-762
Weight	1.5 pounds	1.5 pounds	1.5 pounds	1.5 pounds	1.5 pounds

For actuator set up, rotate stem clockwise to increase flow from A to AB (Coil flow). Rotate stem counter-clockwise to increase flow from B to AB. (Bypass flow)