

SPECIFICATIONS:

PSI/Temperature Rating

Metering Station:

QuickSet:

Low Loss Venturi:

Body Material:

Butterfly Valve¹:

End Connections:

Installation:

240 PSI/275° F

200 PSI (14"-18": 150 PSI) /275° F

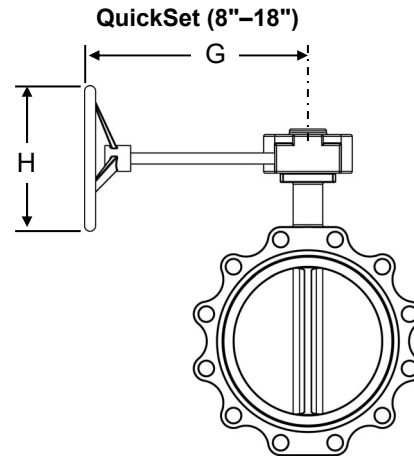
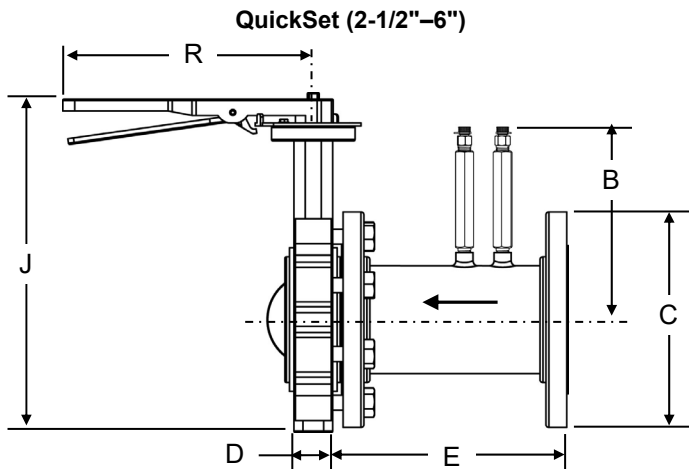
Carbon Steel with Piezo-Ring to average low signal pickup.

Carbon Steel SA-53 Grade B.

Bronze disk, S.S. Stem

Steel flanges ANSI B16.5 CL 150

No straight-run pipe is necessary for normal operation. Consult chart (F-4439) for exact Flow Constant and Permanent Pressure Drop calculations.



DIMENSIONS & WEIGHTS FOR QUICKSET (NOMINAL)

All dimensions are for planning purposes only and may change without notice.

LINE SIZE	B	C	D	E	G	H	J	R	WEIGHT (LBS.)	
									W/ HANDLE	W/GEAR WHEEL
2-1/2"	7.3	7.0	1.8	6.3	N/A	N/A	11.6	10.5	24.9	N/A
3"	7.6	7.5	1.8	6.8	N/A	N/A	12.1	10.5	29.4	N/A
4"	8.0	9.0	2.0	8.4	N/A	N/A	13.6	10.5	43.0	N/A
5"	8.6	10.0	2.1	10.3	N/A	N/A	14.6	10.5	54.0	N/A
6"	9.1	11.0	2.3	11.8	N/A	N/A	15.6	10.5	70.3	N/A
8"	10.1	13.5	2.4	15.3	N/A	12.0	18.9	N/A	N/A	126.5
10"	11.2	16.0	2.6	18.3	9.5	12.0	21.3	N/A	N/A	187.3
12"	12.2	19.0	3.0	21.8	9.5	12.0	24.6	N/A	N/A	280.7
14"	12.8	21.0	3.0	24.3	9.5	12.0	26.8	N/A	N/A	378.3
16"	13.8	23.5	4.0	27.8	15.0	16.0	30.0	N/A	N/A	486.7
18"	14.8	25.0	4.5	32.0	15.0	16.0	31.6	N/A	N/A	614.2

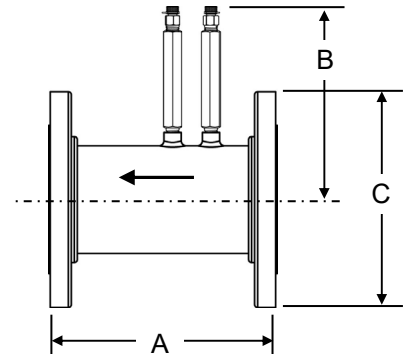
NOTES

¹ Butterfly valve is standard on QuickSet only.

DIMENSIONS & WEIGHTS FOR METERING STATIONS (NOMINAL)

All dimensions are for planning purposes only and may change without notice.

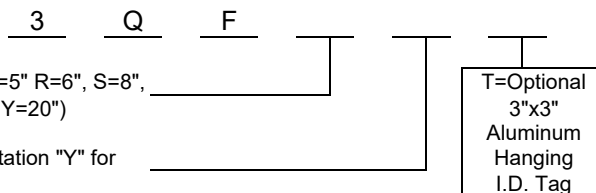
LINE SIZE	A	B	C	WEIGHT (LBS.)
2-1/2"	6.3	7.3	7.0	17.9
3"	6.8	7.6	7.5	21.9
4"	8.4	8.0	9.0	31.5
5"	10.3	8.6	10.0	40.0
6"	10.8	9.1	11.0	51.7
8"	12.8	10.1	13.5	86.5
10"	16.0	11.2	16.0	130.6
12"	16.8	12.2	19.0	191.1
14"	17.0	12.8	21.0	244.7
16"	18.0	13.8	23.5	300.1
18"	17.3	14.8	25.0	326.5
20"	20.9	14.2	27.5	TBD



FLOW RATES (+/-1%²)

LINE SIZE	MODEL NO.	Cv Metering Station ³	Cv Quickset ³	GPM RANGE FOR 5"-100" ⁴ W.C. ΔP (SET W/100" GAUGE)	GPM RANGE FOR 5"-300" W.C. ΔP (SET W/300" GAUGE)	Turn Down Ratio
2-1/2"	3QFM	171	135	19 – 87	19 – 151	7.9
3"	3QFN	269	201	32 - 147	32 – 255	7.9
4"	3QFP	580	417	58 – 260	58 – 451	7.8
5"	3QFQ	800	630	80 – 372	80 – 645	8.1
6"	3QFR	1250	980	140 – 624	140 – 1075	7.7
8"	3QFS	2100	1745	260 – 1180	260 – 2045	7.8
10"	3QFT	4000	3201	375 – 1610	375 – 2790	7.4
12"	3QFU	5700	4690	600 – 2790	600 – 4820	8.0
14"	3QFV	7300	6225	775 – 3420	775 – 5940	7.7
16"	3QFW	9600	8283	1250 – 5525	1250 – 9575	7.7
18"	3QFX	14500	12057	1650 – 7405	1650 – 12830	7.8
20" ⁵	3QFY	26400	19950	2246 – 10071	22460 - 17448	7.7

MODEL NUMBER SELECTION



Select a Size (M=2.5", N=3", P=4", Q=5" R=6", S=8", T=10", U=12", V=14", W=16", X=18", Y=20")

Select Valve Style ("0" for Metering Station "Y" for QuickSet with Butterfly Valve)

NOTES

- ² Accuracy is for venturi portion of valve only. Pressure readability is dependent on accuracy of gauge and system pressure stability.
- ³ Cv's are used to calculate permanent pressure drop. $PSID=(Flow/Cv)^2$. Consult chart F-4439 Smart Phone app for flow measurement.
- ⁴ Not all gages/meters can accurately show a 5" signal. Readability is dependent on quality of the meter. Digital gages can read below 1".
- ⁵ 20" is only available as a Metering Station.

This specification © 2020 Griswold Controls

1700 Barranca Parkway, Irvine, CA 92606
(949) 559-6000 Fax (949) 559-6088
www.GriswoldControls.com