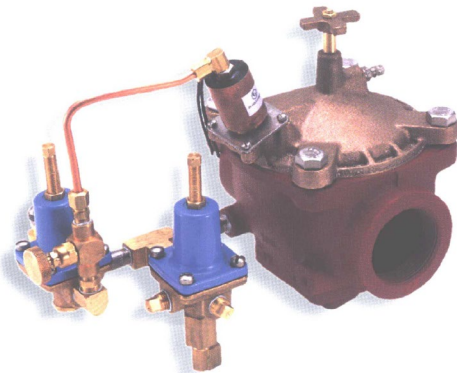


PRESSURE REDUCING/SURGE ANTICIPATION SOLENOID

NORMALLY OPEN VALVE

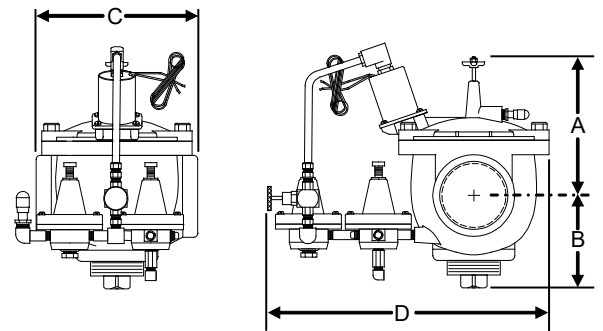


SPECIFICATIONS

- Operating Pressure:** 2 to 200 PSI
- Regulating Range:** 5 to 125 PSI
- Material:** Cast Iron and Bronze
- End Connections:** NPT (BSPT Optional)
- Voltage Operating Range:** 22-28 VAC
- Low Current Requirement:** 0.40 A at 24 VAC
- Assembly:** Valve comes fully assembled
- Optional:** Purple Handle for Reclaimed Water
- Optional:** Epoxy Coating
- Optional:** DC Latching Solenoid (6-40VDC)

DIMENSIONS & WEIGHTS (NOMINAL)

SIZE	MODEL NO.	A (IN)	B (IN)	C (IN)	D (IN)	APPROX SHIP WT IN LBS
1"	2265H	4.25	2.50	4.50	10.00	12
1-1/4"	2265J	4.25	2.75	4.50	10.00	11
1-1/2"	2265K	6.00	3.00	5.50	10.00	19
2"	2265L	6.00	3.25	7.50	12.00	23
2-1/2"	2265M	6.25	3.25	7.50	12.00	27
3"	2265N	6.50	4.50	8.50	12.50	29



PRESSURE LOSS (PSI) AT VARIOUS FLOWRATES

SIZE	FLOW PATTERN	Cv	FLOWRATE (GPM)																																										
			10	15	20	25	30	35	40	44	50	55	60	65	70	80	90	100	120	140	160	180	200	225	250	275	300	325	350	375	400														
1"	STRAIGHT	13.50	1.0	1.24	2.2	3.4	5.0	6.7	8.8	11.1	13.7	16.6	19.7	<b>CONSULT WITH FACTORY IN THIS RANGE</b>																															
	ANGLE	15.30		1.7	2.7	3.9	5.2	6.8	8.6	10.7	12.9	15.4																																	
1-1/4"	STRAIGHT	16.60		1.5	2.3	3.3	4.5	5.8	7.4	9.1	11.0	13.1	15.3	17.8	<b>CONSULT WITH FACTORY IN THIS RANGE</b>																														
	ANGLE	17.80		1.3	2.0	2.8	3.9	5.1	6.4	7.9	9.6	11.4	13.3	15.5																															
1-1/2"	STRAIGHT	26.00				1.3	1.8	2.4	3.0	3.7	4.5	5.0	5.4	7.3	9.5	12.0	14.8	<b>USE 1 PSI DROP IN THIS RANGE</b>																											
	ANGLE	29.00				1.1	1.5	1.9	2.4	3.0	3.6	4.3	5.9	6.3	7.6	9.7	11.9																												
2"	STRAIGHT	52.00												1.6	1.8	2.4	3.0	3.7	5.3	7.3	9.5	12.0	14.8	<b>USE 1 PSI DROP IN THIS RANGE</b>																					
	ANGLE	57.00												1.3	1.5	2.0	2.5	3.1	4.4	6.1	7.9	10.0	12.3																						
2-1/2"	STRAIGHT	65.00												1.0	1.2	1.5	1.9	2.4	3.4	4.6	6.1	7.7	9.5	12.0	14.8	17.9	21.3	<b>USE 1 PSI DROP IN THIS RANGE</b>																	
	ANGLE	72.00												1.2	1.6	1.9	2.8	3.8	4.9	6.3	7.7	9.8	12.0	14.6	17.4																				
3"	STRAIGHT	83.00												1.2	1.5	2.1	2.8	3.7	4.7	5.8	7.3	9.1	11.0	13.1	15.3	17.8	20.4	23.2	<b>USE 1 PSI DROP IN THIS RANGE</b>																
	ANGLE	92.00												1.0	1.2	1.7	2.3	3.0	3.8	4.7	6.0	7.4	8.9	10.6	12.5	14.5	16.6	18.9																	

APPLICATIONS

The 2265 Pressure Reducing Surge Anticipation Solenoid Valve offers maximum performance combined with the reliability you have come to expect from Griswold Controls. The valve is intended for use in a wide variety of irrigation systems and can be used on slopes, banks, and hilly terrain with no performance loss, making it the right choice for golf course irrigation. The 2265 is designed as a normally-open master valve for systems with high supply pressure and fast-acting valves. The 2265\_R can be used with Reclaimed Water.

