

SPECIFICATIONS

Operating Pressure: 2 to 200 PSI
Voltage Operating Range: 22-28 VAC
Low Current Requirement: 0.40 A at 24 VAC
Assembly: Valve comes fully assembled

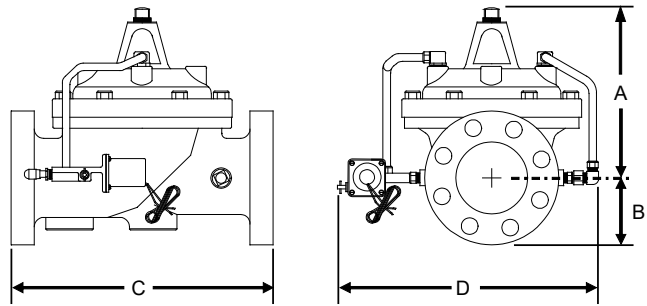
MATERIALS

End Connections: Flanged 150 ANSI
Stem, Nut & Spring: Stainless Steel
Diaphragm: Nylon-Reinforced Buna-N
Disc: Buna-N
Disc Retainer: Cast Iron
Diaphragm Washer: Cast Iron
Disc Guide Seat: Bronze
Cover Bearing: Bronze

DESCRIPTION

All dimensions are for planning purposes only and may change without notice.

- Normally Closed: Energize Solenoid to Open Valve, De-Energize to Close Valve
- On/Off Solenoid Control Valve
- Watertight Epoxy Molded Solenoid Coil
- Slow Closing
- "No Surge or Hammer" Operation
- Will Throttle Against Flow Without Chatter
- Diaphragm-Disc Assembly Guided by Stainless Steel Stem in all Positions
- Completely Serviceable Without Removing Valve Body from the System



DIMENSIONS & WEIGHTS (NOMINAL)

SIZE	MODEL NO.	A (IN)	B (IN)	C (IN)	D (IN)	APPROX SHIP WT IN LBS
4"	2000P	10.62	4.50	15.00	15.50	140
6"	2000Q	13.38	5.50	20.00	19.75	280
8"	2000R	16.00	6.75	25.38	24.00	500

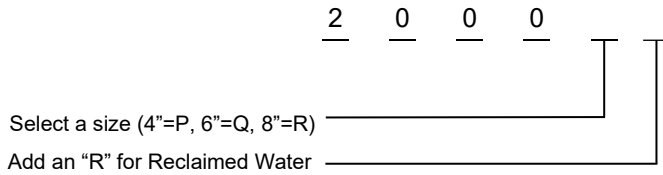
PRESSURE LOSS (PSI) AT VARIOUS FLOWRATES

SIZE	FLOWRATE (GPM)																									
	100	200	300	400	500	600	700	800	900	1000	1100	1200	1300	1400	1500	1600	1700	1800	1900	2000	2100	2200	3000	3100	3200	3300
4"	1.0 2.3 4.0 6.3 9.0 12.3 16.0 20.3															CONSULT WITH FACTORY										
6"	USE 1 PSI 0.8 1.2 1.7 2.3 3.0 3.8 4.7 5.7 6.8 8.0 9.3 10.6 12.1 13.7 15.3 17.1 18.9 20.8															IN THIS RANGE										
8"	DROP IN THIS RANGE					0.8	1.1	1.4	1.7	2.0	2.4	2.9	3.3	3.8	4.3	4.9	5.5	6.1	6.7	7.4	8.2	15.2	16.2	17.3	18.4	19.5

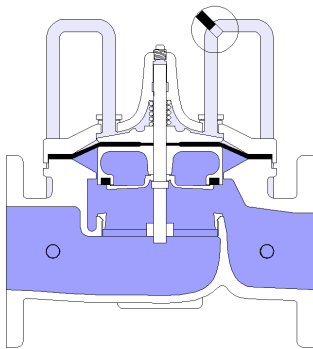
APPLICATIONS

The 2000 Solenoid Control Valve offers maximum performance combined with the reliability you have come to expect from Griswold Controls. Intended for use in medium to large irrigation systems, the valve is ideally suited for use as either an On-Off Solenoid Valve or as a General Purpose Master Valve.

MODEL NUMBER SELECTION

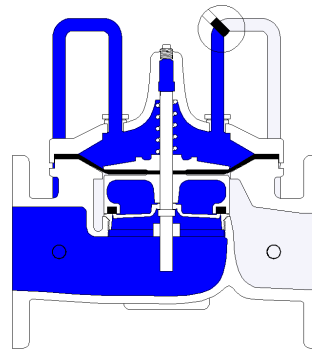


THEORY OF OPERATION



FULL OPEN OPERATION

When pressure in the cover chamber is relieved to a zone of lower pressure, the line pressure at the valve inlet opens the valve, allowing full flow.



TIGHT CLOSING OPERATION

When pressure from the valve inlet is applied to the cover chamber, the valve closes drip-tight.