

HEAVY-DUTY IRRIGATION VALVES

MODELS 2000, 2030

List prices are for individual parts — See following pages for illustration of parts by number

DESCRIPTION	1" to 1-1/4"		1-1/2"		2" to 2-1/2"		3"	
	P/N	PRICE	P/N	PRICE	P/N	PRICE	P/N	PRICE
1. Cover Assy. 2000, 2010 (Includes items 2 through 9, 11 and 12)	3014	\$157.97	3017	\$181.66	3020	\$197.45	3020	\$197.45
1. Cover Assy. 2030, 2050 (Includes items 2 through 9, 11 and 12)	3445	\$236.94	3446	\$252.74	3447	\$268.53	3447	\$268.53
2. Cover (Includes items 3 & 10)	6612	\$75.65	6613	\$97.88	6614	\$127.56	6614	\$127.56
3. O-Ring, Cover	418	\$0.78	418	\$0.78	418	\$0.78	418	\$0.78
4. Stem, Flow Adjustment	970	\$13.28	971	\$14.22	972	\$15.81	972	\$15.81
5. Cross Handle	408	\$7.10	408	\$7.10	408	\$7.10	408	\$7.10
6. Nut, Cross Handle For Solenoid Assy., See 33 - 36	409	\$0.48	409	\$0.48	409	\$0.48	409	\$0.48
7. Solenoid Coil Only - 2030, 2050	4333-02	\$55.40	4333-02	\$55.40	4333-02	\$55.40	4333-02	\$55.40
7a. Solenoid Coil Only – 2000, 2010	4333	\$55.40	4333	\$55.40	4333	\$55.40	4333	\$55.40
7b. Solenoid Coil Only – DC Latching	4333-03	\$55.40	4333-03	\$55.40	4333-03	\$55.40	4333-03	\$55.40
8a. Armature Assy. – 2000, 2010 (For Brass Threaded Coil Only)	8283	\$8.69	8283	\$8.69	8283	\$9.82	8283	\$8.69
9. Gasket, Solenoid	446	\$1.59	446	\$1.59	446	\$1.59	446	\$1.59
10. Rubber Solenoid Seat	4313	\$1.62	4313	\$1.62	4313	\$1.62	4313	\$1.62
11. Schrader Bleed Valve 1/4" NPT	738	\$9.17	738	\$9.17	738	\$9.17	738	\$9.17
12. Screw, Solenoid Mounting	415	\$0.32	415	\$0.32	415	\$0.32	415	\$0.32
13. Diaphragm Disc Assy. – 2000, 2030	822	\$58.45	3062	\$72.66	520	\$98.85	6760	\$142.99
13. Diaphragm Disc Assy. – 2010, 2050	3301	\$63.18	3302	\$78.98	3303	\$102.45	6760	\$142.99
14. Pin Bearing	447	\$12.63	317	\$15.01	612	\$15.81	612	\$15.81
15. Upper Diaphragm Washer	335	\$8.70	329	\$5.54	606	\$6.33	606	\$6.33
15a. Upper Disc Washer	-	\$0.00	-	\$0.00	-	\$0.00	6759	\$68.39
16. O-Ring, Diaphragm	302	\$0.78	3010	\$0.78	7978-08	\$0.78	7978-08	\$0.78
17. Diaphragm	823	\$9.47	310	\$13.43	300	\$15.01	300	\$15.01
18. Disc Retainer	340	\$15.01	314	\$20.55	287	\$53.46	6756	\$26.86
19. Disc, Rubber Seat	345	\$5.54	309	\$5.54	299	\$7.10	6758	\$12.63
20. Disc Guide 2000, 2030	448	\$13.43	318	\$18.97	286	\$24.63	6754	\$44.23
20. Disc Guide 2010, 2050	3298	\$13.43	3299	\$18.97	3300	\$24.63	-	\$0.00
21. Body 1", 1-1/2", 2"	338	\$75.82	328	\$94.76	297	\$150.06	6744	\$428.96
21. Body 1-1/4", 2-1/2"	432	\$86.88	-	\$0.00	757	\$283.49	-	\$0.00
22. Pipe Plug 1", 1-1/2", 2"	434	\$3.95	480	\$6.33	479	\$7.10	-	\$0.00
22. Pipe Plug 1 1/4", 2 1/2", 3'	435	\$5.22	-	\$0.00	758	\$14.05	6121	\$19.75
23. Coupler Tube	461	\$3.95	481	\$6.34	481	\$6.34	481	\$6.34
24. Seat Assy.	496	\$32.95	3061	\$44.23	518	\$47.39	6761	\$47.39
25. High Pressure Gasket	-	\$0.00	3093	\$7.10	879	\$8.99	-	\$0.00
26. Metering Pin	402	\$11.88	322	\$11.88	290	\$11.88	290	\$11.88
27. Pin Spring	406	\$2.84	303	\$2.84	303	\$2.84	303	\$2.84
28. Pin Spring Cap	-	\$0.00	764	\$1.59	764	\$1.59	764	\$1.59
29. Spring 2000, 2010 (Cold Weather Valve)	-	\$0.00	-	\$0.00	-	\$0.00	-	\$0.00
30. Cover Spring	407	\$3.95	311	\$3.95	304	\$4.75	304	\$4.75
31. Cover Bolt	347	\$1.59	330	\$2.38	307	\$3.15	307	\$3.15
33. Complete Solenoid Assy (2000) (Incl 7A,34,35)	3357	\$66.35	3357	\$66.35	3357	\$66.35	3357	\$66.35
34. Solenoid Base Plate	770	\$8.95	770	\$8.95	770	\$8.95	770	\$8.95
35. Solenoid Adapter Ring	4513	\$11.06	4513	\$11.06	4513	\$11.06	4513	\$11.06
36. Complete Solenoid Assy. 2030 (Includes items 7, 34, 35)	3357-02	\$59.91	3357-02	\$59.91	3357-02	\$59.91	3357-02	\$59.91
37. Valve Repair Kit (Includes items 3, 16, 17, 19)	8383	\$44.13	8384	\$46.63	8385	\$48.49	8386	\$50.98
38. Valve Repair Kit (Includes items 3,14,16,17,19,26)	8387	\$69.95	8388	\$80.20	8389	\$77.08	8390	\$79.57

Prices Effective January 4, 2021
F-800ZD

This specification © 2020 Griswold Controls

1700 Barranca Parkway, Irvine, CA 92606
(949) 559-6000 Fax (949) 559-6088
www.GriswoldControls.com



HEAVY-DUTY IRRIGATION VALVES

MODELS 2160, 2230, 2250, 2280, 2285 (4160, 4180, 4190, 7230, 7270, 7280)

List prices are for individual parts. — See following pages for illustration of parts by number

ITEM DESCRIPTION	1" to 1-1/4"		1-1/2"		2" to 2-1/2"		3"	
	P/N	PRICE	P/N	PRICE	P/N	PRICE	P/N	PRICE
1. Cover Assy. (Includes items 2-6)	3021	\$81.58	3022	\$102.69	3023	\$146.71	3023	\$146.71
2a. Cover (Cast iron, 2180, 2280)	870	\$71.20	3089	\$94.94	871	\$110.50	871	\$110.50
2. Cover (Brass)	3006	\$65.90	3007	\$86.03	3008	\$123.09	3008	\$123.09
3. O-Ring, Cover	418	\$0.78	418	\$0.78	418	\$0.78	418	\$0.78
4. Flow Adjustment Stem	970	\$13.28	971	\$14.22	972	\$15.81	972	\$15.81
5. Cross Handle	408	\$7.10	408	\$7.10	408	\$7.10	408	\$7.10
6. Nut, Cross Handle	409	\$0.48	409	\$0.48	409	\$0.48	409	\$0.48
7. Diaphragm Disc Assy. (Standard)	822	\$58.45	3062	\$72.66	520	\$98.85	6760	\$98.85
7a. Diaphragm Disc Assy. (Thin)	493	\$59.33	3102	\$72.68	519	\$91.95	6856	\$91.95
8. Pin Bearing	447	\$12.63	317	\$15.01	612	\$15.81	612	\$15.81
9. Upper Diaphragm Washer	335	\$8.70	329	\$5.54	606	\$6.33	606	\$6.33
9a. Upper Disc Washer	-	\$0.00	-	\$0.00	-	\$0.00	6759	\$0.00
10. O-Ring, Diaphragm	302	\$0.78	3010	\$0.78	7978-08	\$0.78	7978-08	\$0.78
11. Diaphragm (Standard)	823	\$9.47	310	\$13.43	300	\$15.01	300	\$15.01
11. Diaphragm (Thin)	437	\$9.47	3009	\$13.43	803	\$15.01	803	\$15.01
12. Disc Retainer	340	\$15.01	314	\$20.55	287	\$53.46	6756	\$53.46
13. Rubber Seat	345	\$5.54	309	\$5.54	299	\$7.10	6758	\$7.10
14. Disc Guide	448	\$13.43	318	\$18.97	286	\$24.63	6754	\$24.63
16. Pipe Plug 1", 1-1/2", 2"	434	\$3.95	480	\$6.33	479	\$7.10	6121	\$7.10
16. Pipe Plug 1-1/4", 2-1/2"	435	\$5.22	-	\$0.00	758	\$14.05	-	\$14.05
17. Pipe Plug (Side of Bodies)	4039-33	\$1.97	4039-33	\$1.97	4039-33	\$1.97	4039-33	\$1.97
18. Seat Assy.	496	\$32.95	3061	\$44.23	518	\$47.39	6761	\$47.39
19. High Pressure Gasket	-	\$0.00	3093	\$7.10	879	\$8.99	879	\$8.99
20. Metering Pin	402	\$11.88	322	\$11.88	290	\$11.88	290	\$11.88
21. Pin Spring	406	\$2.84	303	\$2.84	303	\$2.84	303	\$2.84
22. Pin Spring Cap	-	\$0.00	764	\$1.59	764	\$1.59	764	\$1.59
23. Cover Spring	407	\$3.95	311	\$3.95	304	\$4.75	304	\$4.75
24. Cover Bolt	347	\$1.59	330	\$2.38	307	\$3.15	307	\$3.15
25. Tube Conn., Cover	4039-18	\$2.38	4039-18	\$2.38	4039-18	\$2.38	4039-18	\$2.38
27. Coupler Tube	461	\$3.95	481	\$6.34	481	\$6.34	481	\$6.34
28. Valve Repair Kit (Items 3, 10, 11, 13)	8383	\$44.13	8384	\$46.63	8385	\$48.49	8386	\$48.49
29. Valve Repair Kit (Items 3,8,10,11,13,20)	8387	\$69.95	8388	\$80.20	8389	\$77.08	8390	\$77.08

NOTES

- See following pages for illustration of parts by number.
- Minimum Order is \$100.00 Net.
- Prices subject to change without notice.

CONDITIONS OF SALE

Terms: Net 30 days. Past due thereafter.

Shipping Points: All prices are F.O.B. Irvine, California.

Late Charge: A Monthly 1-1/2% late charge will be automatically assessed on all past due accounts, and compounded monthly. The Maximum Annual late charge assessed to past due accounts shall be governed by the laws of the State of California.

Return of Defective Goods: Must have prior approval of Griswold Controls.

New Goods Returned For Credit: Must have prior authorization from Griswold Controls. A 20% restocking charge will be made. Credit will not be given for obsolete, Damaged, modified, shop-worn, out-of-warranty, or specialty equipment.

Delivery: Delivery estimates are made in good faith and are subject to delays due to government restrictions, failure of our suppliers to deliver, fires, strikes or other causes beyond our control. Griswold Controls is not responsible for loss due to delays or lost shipments.

Acceptance of Orders: Orders are subject to acceptance by Griswold Controls. Accepted orders are subject to all terms and conditions herein.

Changes: All products, prices, discounts, and terms are subject to change without notice.

Prices Effective January 4, 2021
F-800ZD

This specification © 2020 Griswold Controls

1700 Barranca Parkway, Irvine, CA 92606
(949) 559-6000 Fax (949) 559-6088
www.GriswoldControls.com

 **GRISWOLD
CONTROLS**
A FlowCon International/Griswold Controls LLC. Company

HEAVY-DUTY IRRIGATION VALVES

MODEL 2230

List prices are for individual parts. — See following pages for illustration of parts by number

ITEM DESCRIPTION	1" to 3"	
	P/N	PRICE
30. Flow Adjusting Stem Assy. (Refer to Product Price Lists)		
31. Elbow	4039-17	\$5.54
32. Pipe Plug, Brass	4039-37	\$6.33
33. 3-50 psi 1/4" Regulator	5958-01	\$189.85
33. 10-125 psi 1/4" Regulator (Standard)	6347	\$279.76
33. 50-175 psi 1/4" Regulator	5958-03	\$189.85
34. 24 Volt Solenoid normally open	2-PV-1	\$220.99
34. 24 Volt Solenoid normally closed	2-PV-2	\$189.85
34. 120 Volt Solenoid normally open	2-PV-3	\$220.99
34. 120 Volt Solenoid normally closed	2-PV-4	\$189.85
34. 120 Volt explosion proof (NC) Solenoid	2-PV-5	\$220.99
37. Tee	4039-19	\$7.90
38. Mounting Bracket	645	\$11.19
41. Float Rod	668	\$19.75
42. Float Ball	667	\$15.01
43. Float Pilot Assy.	637	\$118.65
44. Needle valve	4038-06	\$47.46
45. Coupling, Pipe to Pipe	4039-52	\$3.95
47. Schrader Valve	3029	\$6.33
48. Solenoid Valve (Armature Assy. Not Included)	4333-02	\$55.30
48a. Armature Assy. For Above	-	\$0.00
53. Adjusting Screw	5959	\$7.90
54. Locking Nut	1118-15	\$0.63
55. Regular Cover	5956	\$41.53
56. Cover Screw	1198-49	\$0.78
57. Spring Retainer Jam	6561	\$1.74
58. Spring 3-50 PSI Range	6562-01	\$14.22
58. Spring 10-125 PSI Range	6562-02	\$14.22
58. Spring 50-175 PSI Range	6562-03	\$14.22
59. Regulator Repair Kit	7840	\$40.29
60. Adapter Fitting	6793	\$25.27
61. Cover Tube Conn.	4039-11	\$2.38
62. Complete Regulator (Surge)	8528	\$204.68
63. Spring	6812	\$3.95
64. Street Elbow	4039-03	\$4.75
65. Schrader Valve	7980	\$9.17
66. Elbow	4039-14	\$3.95
67. Regulator Mounting Block	8308	\$94.94
68. Bypass Stem Assy.	8957	\$38.54
69. Diaphragm Assy.	8986	\$21.79
70. Spring Retainer	8300	\$6.33
71. Spring	8267	\$12.63
72. 24 Volt Solenoid Assy., normally open	9099	\$71.05
73. O-Ring, Solenoid, Part of 72	476	\$0.78
74. Elbow, 1/8" NPTx1/4" Tube	4039-14	\$3.95
75. Mounting Plate, Solenoid	770	\$6.33
76. Screw, 8-32x3/8 (S.S., Phillips head)	415	\$0.32
77. Solenoid Adapter Ring	4513	\$7.10
78. Seal Ring, Solenoid Gasket	446	\$1.59
79. 2000 Irrigation Cover 1-1/4"	6612	\$75.65
79. 2000 Irrigation Cover 1-1/2"	6613	\$97.88
79. 2000 Irrigation Cover 2", 2-1/2", 3"	6614	\$127.56
80. Schrader Bleed Valve, 1/4" NPT	738	\$9.17

NOTES

- Minimum Order is \$100.00 Net.
- Prices subject to change without notice.

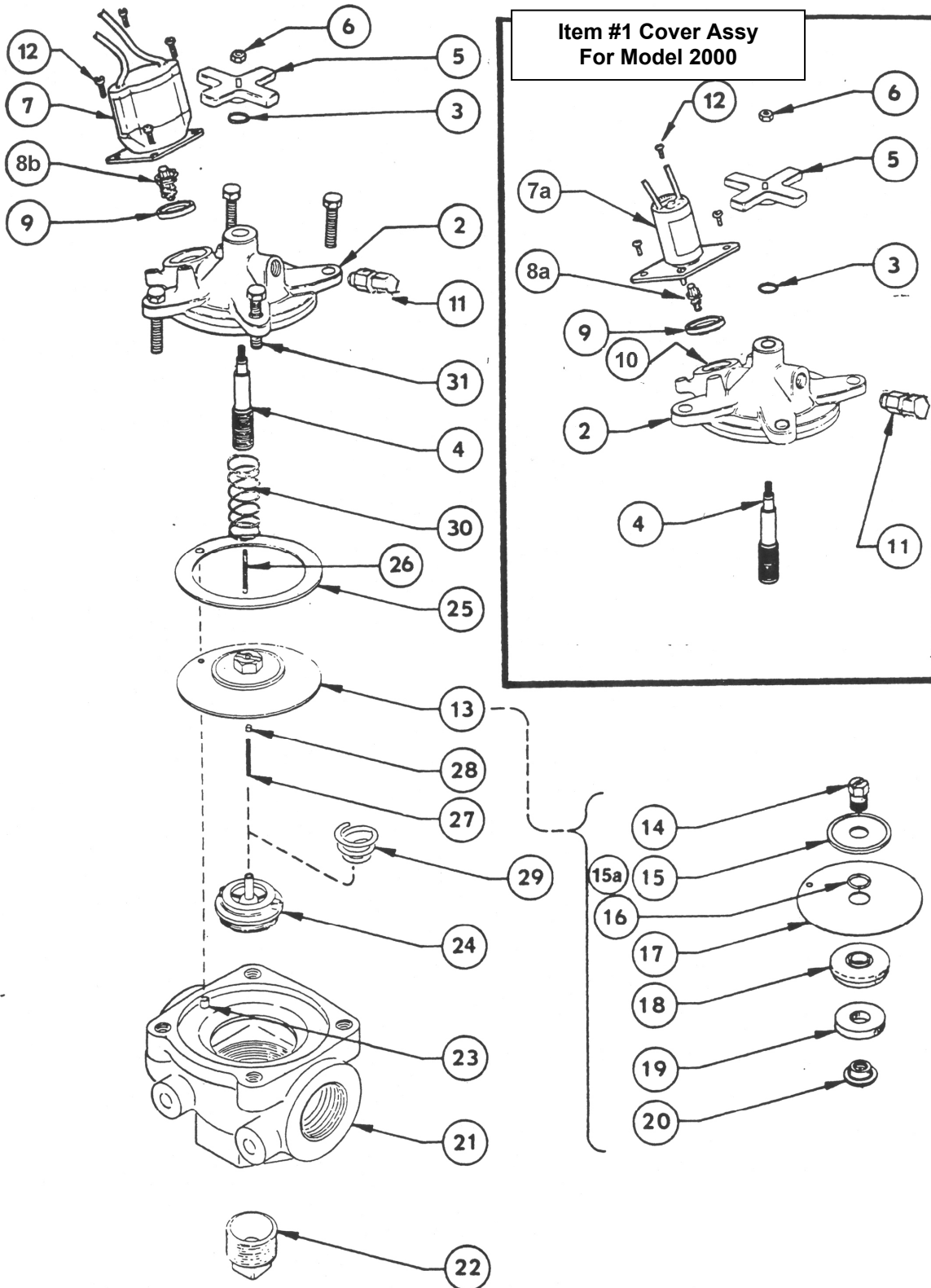
This specification © 2020 Griswold Controls

1700 Barranca Parkway, Irvine, CA 92606
 (949) 559-6000 Fax (949) 559-6088
 www.GriswoldControls.com

Prices Effective January 4, 2021
 F-800ZD

HEAVY-DUTY IRRIGATION VALVES

MODEL 2000, 2030



This specification © 2020 Griswold Controls

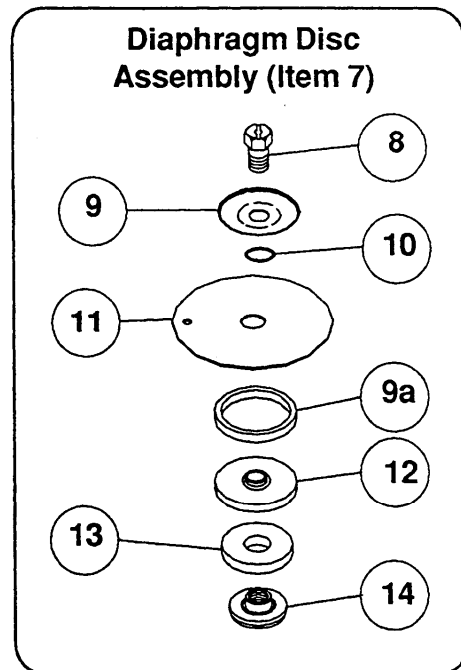
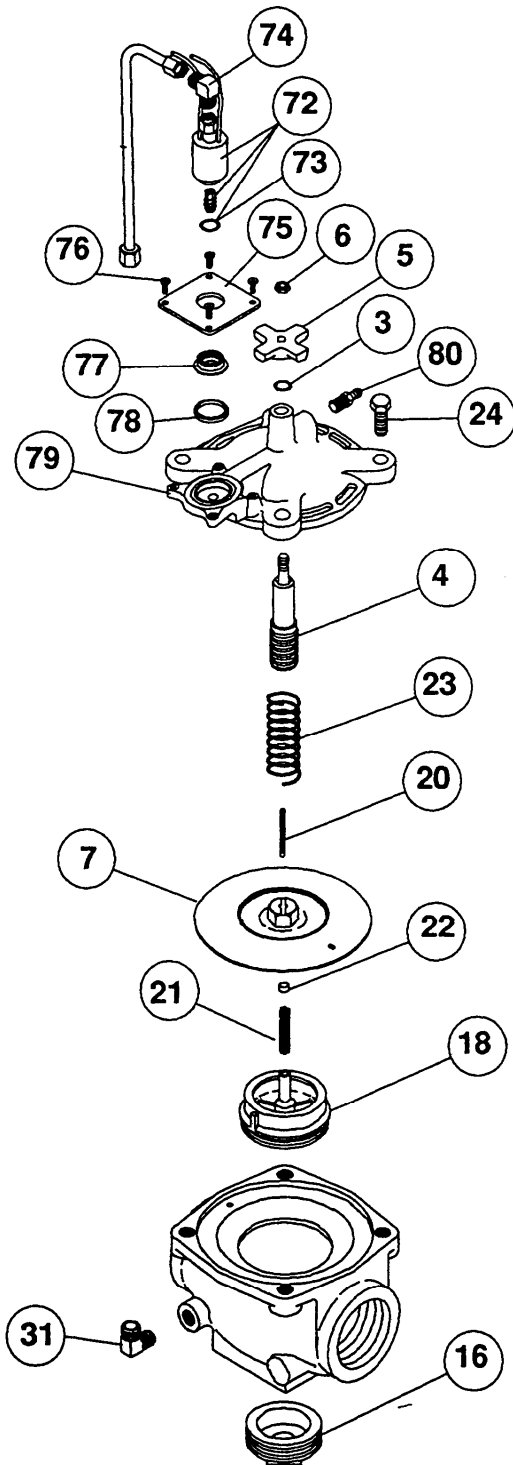
1700 Barranca Parkway, Irvine, CA 92606
 (949) 559-6000 Fax (949) 559-6088
 www.GriswoldControls.com

Prices Effective January 4, 2021
 F-800ZD



HEAVY-DUTY IRRIGATION VALVES

MODEL 2160



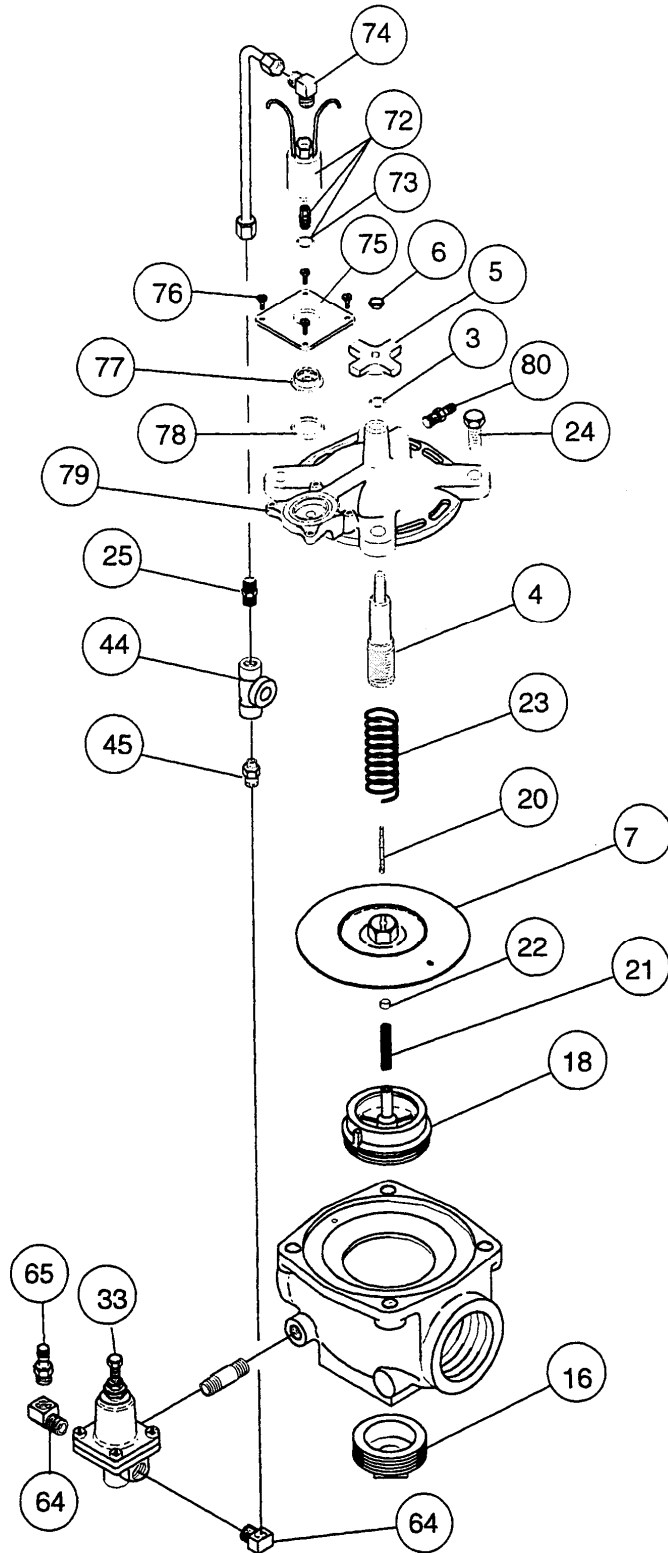
MODEL 2260

HEAVY-DUTY IRRIGATION VALVES

This specification © 2020 Griswold Controls

Prices Effective January 4, 2021
F-800ZD

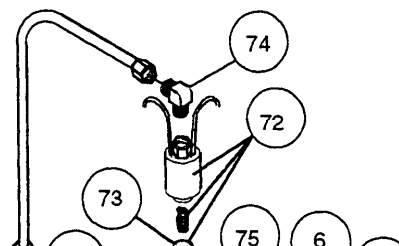
1700 Barranca Parkway, Irvine, CA 92606
(949) 559-6000 Fax (949) 559-6088
www.GriswoldControls.com



MODEL 2265

-DUTY IRRIGATION VALVES

Thi:
171
(94
ww



July 4, 2021
F-800ZD
OLD
LS
Company