

## HEAVY-DUTY IRRIGATION VALVES

## MODELS 2000, 2030

List prices are for individual parts — See following pages for illustration of parts by number

DESCRIPTION	1" to 1-1/4"		1-1/2"		2" to 2-1/2"		3"	
	P/N	PRICE	P/N	PRICE	P/N	PRICE	P/N	PRICE
1. Cover Assy. 2000, 2010 (Includes items 2 through 9, 11 and 12)	3014	144.93	3017	166.66	3020	181.15	3020	181.15
1. Cover Assy. 2030, 2050 (Includes items 2 through 9, 11 and 12)	3445	217.38	3446	231.87	3447	246.36	3447	246.36
2. Cover (Includes items 3 & 10)	6612	69.40	6613	89.80	6614	117.03	6614	117.03
3. O-Ring, Cover	418	0.72	418	0.72	418	0.72	418	0.72
4. Stem, Flow Adjustment	970	12.18	971	13.05	972	14.50	972	14.50
5. Cross Handle	408	6.51	408	6.51	408	6.51	408	6.51
6. Nut, Cross Handle For Solenoid Assy., See 33 - 36	409	0.44	409	0.44	409	0.44	409	0.44
7. Solenoid Coil Only - 2030, 2050	4333-02	50.83	4333-02	50.83	4333-02	50.83	4333-02	50.83
7a. Solenoid Coil Only – 2000, 2010	4333	50.83	4333	50.83	4333	50.83	4333	50.83
7b. Solenoid Coil Only – DC Latching	4333-03	50.83	4333-03	50.83	4333-03	50.83	4333-03	50.83
8a. Armature Assy. – 2000, 2010 (For Brass Threaded Coil Only)	8283	7.97	8283	7.97	8283	9.01	8283	7.97
9. Gasket, Solenoid	446	1.46	446	1.46	446	1.46	446	1.46
10. Rubber Solenoid Seat	4313	1.49	4313	1.49	4313	1.49	4313	1.49
11. Schrader Bleed Valve 1/4" NPT	738	8.41	738	8.41	738	8.41	738	8.41
12. Screw, Solenoid Mounting	415	0.29	415	0.29	415	0.29	415	0.29
13. Diaphragm Disc Assy. – 2000, 2030	822	53.62	3062	66.66	520	90.69	6760	131.18
13. Diaphragm Disc Assy. – 2010, 2050	3301	57.96	3302	72.46	3303	93.99	6760	131.18
14. Pin Bearing	447	11.59	317	13.77	612	14.50	612	14.50
15. Upper Diaphragm Washer	335	7.98	329	5.08	606	5.81	606	5.81
15a. Upper Disc Washer	-	-	-	-	-	-	6759	62.74
16. O-Ring, Diaphragm	302	0.72	3010	0.72	7978-08	0.72	7978-08	0.72
17. Diaphragm	823	8.69	310	12.32	300	13.77	300	13.77
18. Disc Retainer	340	13.77	314	18.85	287	49.05	6756	24.64
19. Disc, Rubber Seat	345	5.08	309	5.08	299	6.51	6758	11.59
20. Disc Guide 2000, 2030	448	12.32	318	17.40	286	22.60	6754	40.58
20. Disc Guide 2010, 2050	3298	12.32	3299	17.40	3300	22.60	-	-
21. Body 1", 1-1/2", 2"	338	69.56	328	86.94	297	137.67	6744	393.54
21. Body 1-1/4", 2-1/2"	432	79.71	-	-	757	260.08	-	-
22. Pipe Plug 1", 1-1/2", 2"	434	3.62	480	5.81	479	6.51	-	-
22. Pipe Plug 1 1/4", 2 1/2", 3'	435	4.79	-	-	758	12.89	6121	18.12
23. Coupler Tube	461	3.62	481	5.82	481	5.82	481	5.82
24. Seat Assy.	496	30.23	3061	40.58	518	43.48	6761	43.48
25. High Pressure Gasket	-	-	3093	6.51	879	8.25	-	-
26. Metering Pin	402	10.90	322	10.90	290	10.90	290	10.90
27. Pin Spring	406	2.61	303	2.61	303	2.61	303	2.61
28. Pin Spring Cap	-	-	764	1.46	764	1.46	764	1.46
29. Spring 2000, 2010 (Cold Weather Valve)	-	-	-	-	-	-	-	-
30. Cover Spring	407	3.62	311	3.62	304	4.36	304	4.36
31. Cover Bolt	347	1.46	330	2.18	307	2.89	307	2.89
33. Complete Solenoid Assy (2000) (Incl 7A,34,35)	3357	60.87	3357	60.87	3357	60.87	3357	60.87
34. Solenoid Base Plate	770	8.21	770	8.21	770	8.21	770	8.21
35. Solenoid Adapter Ring	4513	10.15	4513	10.15	4513	10.15	4513	10.15
36. Complete Solenoid Assy. 2030 (Includes items 7, 34, 35)	3357-02	54.96	3357-02	54.96	3357-02	54.96	3357-02	54.96
37. Valve Repair Kit (Includes items 3, 16, 17, 19)	8383	40.49	8384	42.78	8385	44.49	8386	46.77
38. Valve Repair Kit (Includes items 3,14,16,17,19,26)	8387	64.17	8388	73.58	8389	70.72	8390	73.00

Replaces form F-800

This specification © 2020 Griswold Controls

Prices Effective March 2, 2020  
F-800ZC2803 Barranca Parkway, Irvine, CA 92606  
(949) 559-6000 Fax (949) 559-6088  
www.GriswoldControls.com

## HEAVY-DUTY IRRIGATION VALVES

## MODELS 2160, 2230, 2250, 2280, 2285 (4160, 4180, 4190, 7230, 7270, 7280)

List prices are for individual parts. — See following pages for illustration of parts by number

ITEM DESCRIPTION	1" to 1-1/4"		1-1/2"		2" to 2-1/2"		3"	
	P/N	PRICE	P/N	PRICE	P/N	PRICE	P/N	PRICE
1. Cover Assy. (Includes items 2-6)	3021	74.84	3022	94.21	3023	134.60	3023	134.60
2a. Cover (Cast iron, 2180, 2280)	870	65.32	3089	87.10	871	101.38	871	101.38
2. Cover (Brass)	3006	60.46	3007	78.93	3008	112.93	3008	112.93
3. O-Ring, Cover	418	0.72	418	0.72	418	0.72	418	0.72
4. Flow Adjustment Stem	970	12.18	971	13.05	972	14.50	972	14.50
5. Cross Handle	408	6.51	408	6.51	408	6.51	408	6.51
6. Nut, Cross Handle	409	0.44	409	0.44	409	0.44	409	0.44
7. Diaphragm Disc Assy. (Standard)	822	53.62	3062	66.66	520	90.69	6760	131.18
7a. Diaphragm Disc Assy. (Thin)	493	54.43	3102	66.68	519	84.36	6856	128.33
8. Pin Bearing	447	11.59	317	13.77	612	14.50	612	14.50
9. Upper Diaphragm Washer	335	7.98	329	5.08	606	5.81	606	5.81
9a. Upper Disc Washer	-	-	-	-	-	-	6759	62.74
10. O-Ring, Diaphragm	302	0.72	3010	0.72	7978-08	0.72	7978-08	0.72
11. Diaphragm (Standard)	823	8.69	310	12.32	300	13.77	300	13.77
11. Diaphragm (Thin)	437	8.69	3009	12.32	803	13.77	803	13.77
12. Disc Retainer	340	13.77	314	18.85	287	49.05	6756	24.64
13. Rubber Seat	345	5.08	309	5.08	299	6.51	6758	11.59
14. Disc Guide	448	12.32	318	17.40	286	22.60	6754	40.58
16. Pipe Plug 1", 1-1/2", 2"	434	3.62	480	5.81	479	6.51	6121	18.12
16. Pipe Plug 1-1/4", 2-1/2"	435	4.79	-	-	758	12.89	-	-
17. Pipe Plug (Side of Bodies)	4039-33	1.81	4039-33	1.81	4039-33	1.81	4039-33	1.94
18. Seat Assy.	496	30.23	3061	40.58	518	43.48	6761	43.48
19. High Pressure Gasket	-	-	3093	6.51	879	8.25	879	8.25
20. Metering Pin	402	10.90	322	10.90	290	10.90	290	10.90
21. Pin Spring	406	2.61	303	2.61	303	2.61	303	2.61
22. Pin Spring Cap	-	-	764	1.46	764	1.46	764	1.46
23. Cover Spring	407	3.62	311	3.62	304	4.36	304	4.36
24. Cover Bolt	347	1.46	330	2.18	307	2.89	307	2.89
25. Tube Conn., Cover	4039-18	2.18	4039-18	2.18	4039-18	2.18	4039-18	2.18
27. Coupler Tube	461	3.62	481	5.82	481	5.82	481	5.82
28. Valve Repair Kit (Items 3, 10, 11, 13)	8383	40.49	8384	42.78	8385	44.49	8386	46.77
29. Valve Repair Kit (Items 3,8,10,11,13,20)	8387	64.17	8388	73.58	8389	70.72	8390	73.00

## NOTES

- See following pages for illustration of parts by number.
- Minimum Order is \$100.00 Net.
- Prices subject to change without notice.

## CONDITIONS OF SALE

**Terms:** Net 30 days. Past due thereafter.

**Shipping Points:** All prices are F.O.B. Irvine, California.

**Late Charge:** A Monthly 1-1/2% late charge will be automatically assessed on all past due accounts, and compounded monthly. The Maximum Annual late charge assessed to past due accounts shall be governed by the laws of the State of California.

**Return of Defective Goods:** Must have prior approval of Griswold Controls.

**New Goods Returned For Credit:** Must have prior authorization from Griswold Controls. A 20% restocking charge will be made. Credit will not be given for obsolete, Damaged, modified, shop-worn, out-of-warranty, or specialty equipment.

**Delivery:** Delivery estimates are made in good faith and are subject to delays due to government restrictions, failure of our suppliers to deliver, fires, strikes or other causes beyond our control. Griswold Controls is not responsible for loss due to delays or lost shipments.

**Acceptance of Orders:** Orders are subject to acceptance by Griswold Controls. Accepted orders are subject to all terms and conditions herein.

**Changes:** All products, prices, discounts, and terms are subject to change without notice.

Replaces form F-800

This specification © 2020 Griswold Controls

Prices Effective March 2, 2020  
F-800ZC

2803 Barranca Parkway, Irvine, CA 92606  
(949) 559-6000 Fax (949) 559-6088  
www.GriswoldControls.com



## HEAVY-DUTY IRRIGATION VALVES

## MODEL 2230

List prices are for individual parts. — See following pages for illustration of parts by number

ITEM DESCRIPTION	1" to 3"	
	P/N	PRICE
30. Flow Adjusting Stem Assy. (Refer to Product Price Lists)		
31. Elbow	4039-17	5.08
32. Pipe Plug, Brass	4039-37	5.81
33. 3-50 psi 1/4" Regulator	5958-01	174.17
33. 10-125 psi 1/4" Regulator (Standard)	6347	256.66
33. 50-175 psi 1/4" Regulator	5958-03	174.17
34. 24 Volt Solenoid normally open	2-PV-1	202.74
34. 24 Volt Solenoid normally closed	2-PV-2	174.17
34. 120 Volt Solenoid normally open	2-PV-3	202.74
34. 120 Volt Solenoid normally closed	2-PV-4	174.17
34. 120 Volt explosion proof (NC) Solenoid	2-PV-5	202.74
37. Tee	4039-19	7.25
38. Mounting Bracket	645	10.27
41. Float Rod	668	18.12
42. Float Ball	667	13.77
43. Float Pilot Assy.	637	108.85
44. Needle valve	4038-06	43.54
45. Coupling, Pipe to Pipe	4039-52	3.62
47. Schrader Valve	3029	5.81
48. Solenoid Valve (Armature Assy. Not Included)	4333-02	50.73
48a. Armature Assy. For Above	-	
53. Adjusting Screw	5959	7.25
54. Locking Nut	1118-15	0.58
55. Regular Cover	5956	38.10
56. Cover Screw	1198-49	0.72
57. Spring Retainer Jam	6561	1.60
58. Spring 3-50 PSI Range	6562-01	13.05
58. Spring 10-125 PSI Range	6562-02	13.05
58. Spring 50-175 PSI Range	6562-03	13.05
59. Regulator Repair Kit	7840	36.96
60. Adapter Fitting	6793	23.18
61. Cover Tube Conn.	4039-11	2.18
62. Complete Regulator (Surge)	8528	187.78
63. Spring	6812	3.62
64. Street Elbow	4039-03	4.36
65. Schrader Valve	7980	8.41
66. Elbow	4039-14	3.62
67. Regulator Mounting Block	8308	87.10
68. Bypass Stem Assy.	8957	35.36
69. Diaphragm Assy.	8986	19.99
70. Spring Retainer	8300	5.81
71. Spring	8267	11.59
72. 24 Volt Solenoid Assy., normally open	9099	65.18
73. O-Ring, Solenoid, Part of 72	476	0.72
74. Elbow, 1/8" NPTx1/4" Tube	4039-14	3.62
75. Mounting Plate, Solenoid	770	5.81
76. Screw, 8-32x3/8 (S.S., Phillips head)	415	0.29
77. Solenoid Adapter Ring	4513	6.51
78. Seal Ring, Solenoid Gasket	446	1.46
79. 2000 Irrigation Cover 1-1/4"	6612	69.40
79. 2000 Irrigation Cover 1-1/2"	6613	89.80
79. 2000 Irrigation Cover 2", 2-1/2", 3"	6614	117.03
80. Schrader Bleed Valve, 1/4" NPT	738	8.41

## NOTES

- Minimum Order is \$100.00 Net.
- Prices subject to change without notice.

Replaces form F-800

This specification © 2020 Griswold Controls

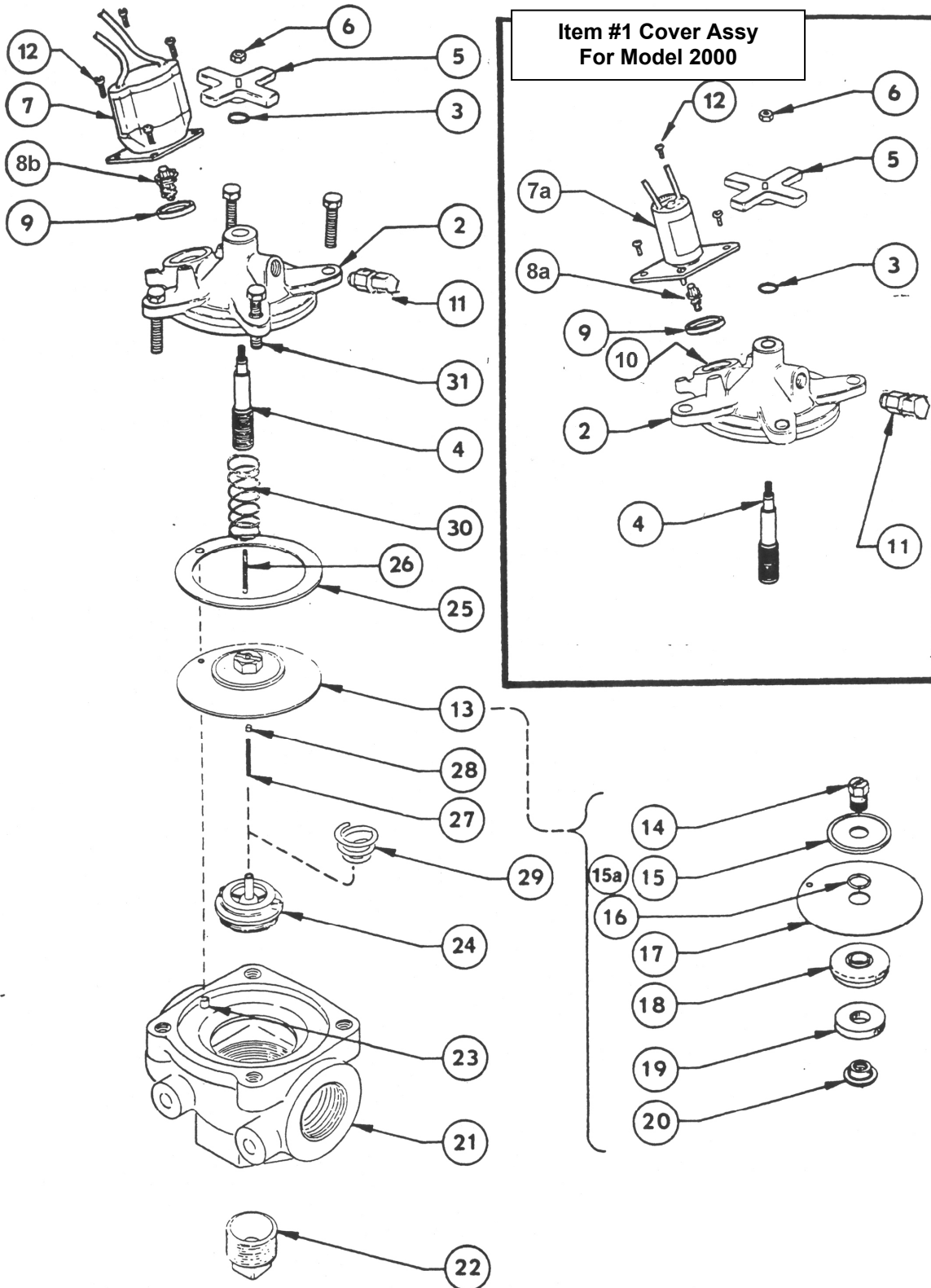
Prices Effective March 2, 2020  
F-800ZC

2803 Barranca Parkway, Irvine, CA 92606  
(949) 559-6000 Fax (949) 559-6088  
www.GriswoldControls.com



HEAVY-DUTY IRRIGATION VALVES

MODEL 2000, 2030



Replaces form F-800  
This specification © 2020 Griswold Controls

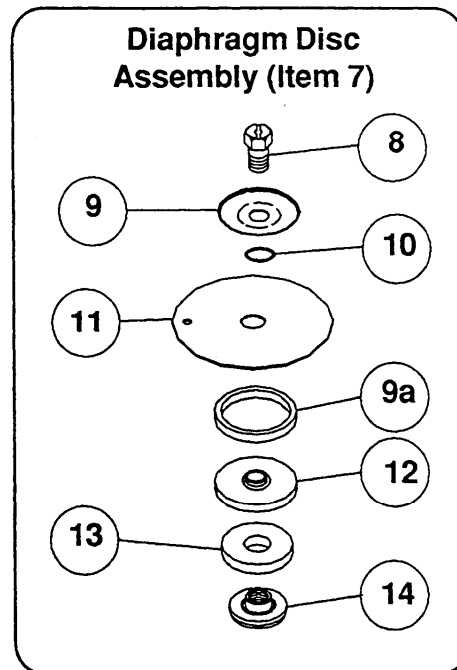
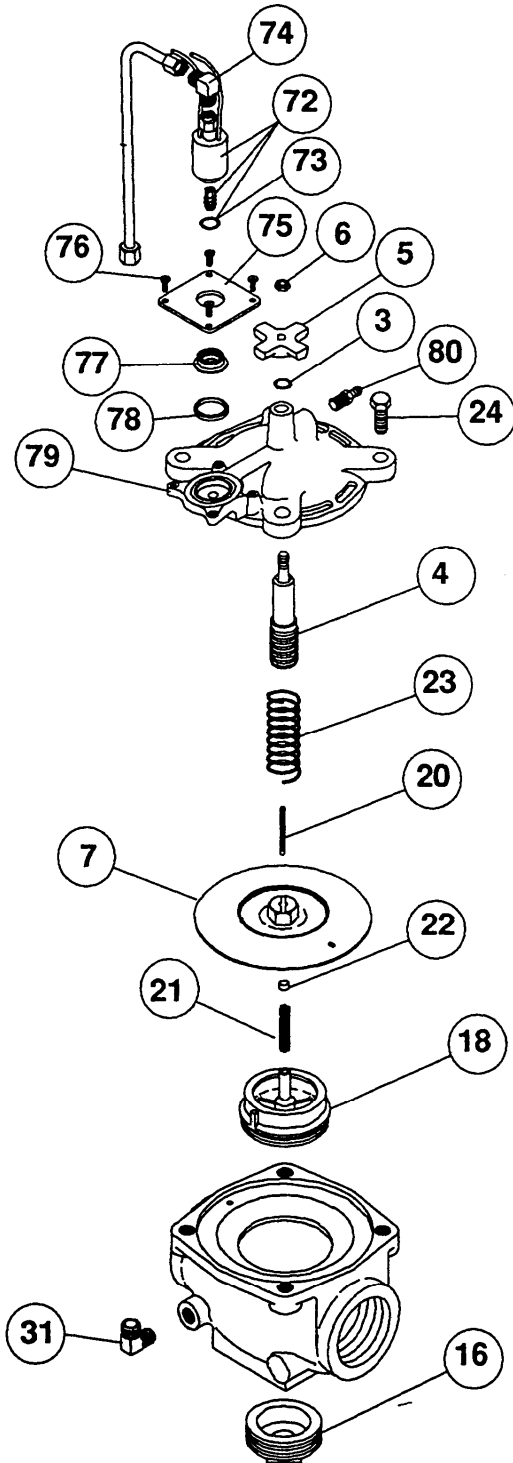
Prices Effective March 2, 2020  
F-800ZC

2803 Barranca Parkway, Irvine, CA 92606  
(949) 559-6000 Fax (949) 559-6088  
www.GriswoldControls.com



HEAVY-DUTY IRRIGATION VALVES

MODEL 2160



MODEL 2260

Replaces form F-800

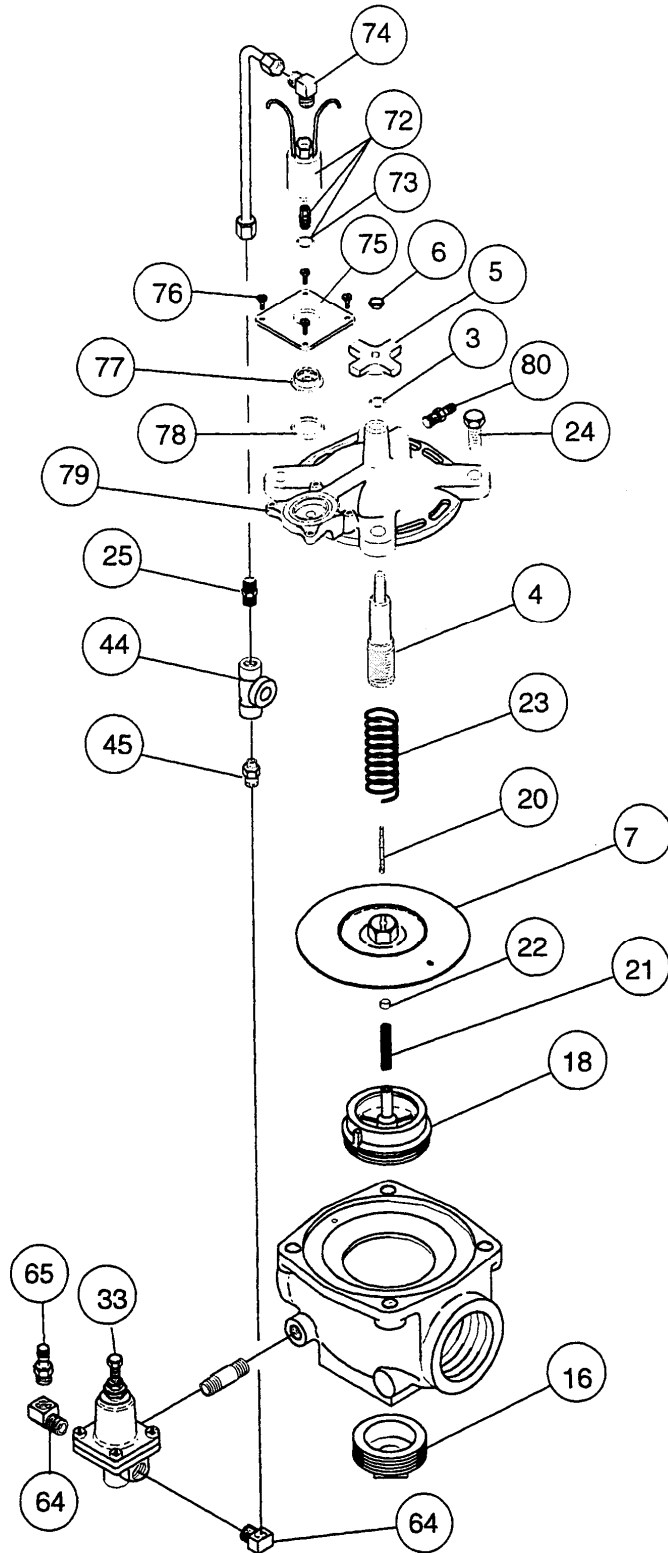
This specification © 2020 Griswold Controls

2803 Barranca Parkway, Irvine, CA 92606  
(949) 559-6000 Fax (949) 559-6088  
www.GriswoldControls.com

HEAVY-DUTY IRRIGATION VALVES

Prices Effective March 2, 2020  
F-800ZC





MODEL 2265

-DUTY IRRIGATION VALVES

Rep:  
Thi:  
281  
(94  
ww

h 2, 2020  
F-800ZC  
LD  
LS

