



SPECIFICATIONS

Static Pressure/Temp Service: 360 PSI / -4°F to 250°F (600 WOG)
 Chilled water, hot water, up to 50% Glycol, or contact factory for additional fluids.

Flow Optimizer: Glass Filled Polymer

Body Material: 304 Stainless Steel

End Connections: 304 Stainless Steel – NPT or BSP-P

Field Repairable Stem: Dual Teflon seals and EPDM O-ring

Stem Seals: EPDM O-Rings

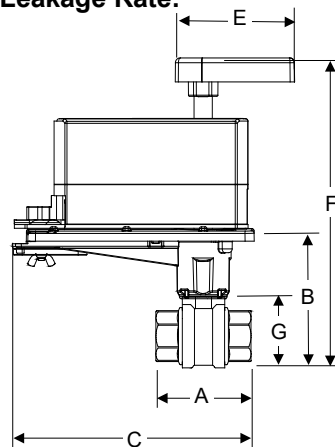
Ball Valve: 304 Stainless Steel

Stem: 304 Stainless Steel

Ball Seals: Teflon Seals with EPDM O-Rings

Angle of Rotation: 0–90°

Leakage Rate: ANSI Class IV, .01% of Cv



Standard Mounting Kit Shown – Direct Mount available for KMC actuators

DIMENSIONS & WEIGHTS (NOMINAL) (measured in inches and lbs unless noted)

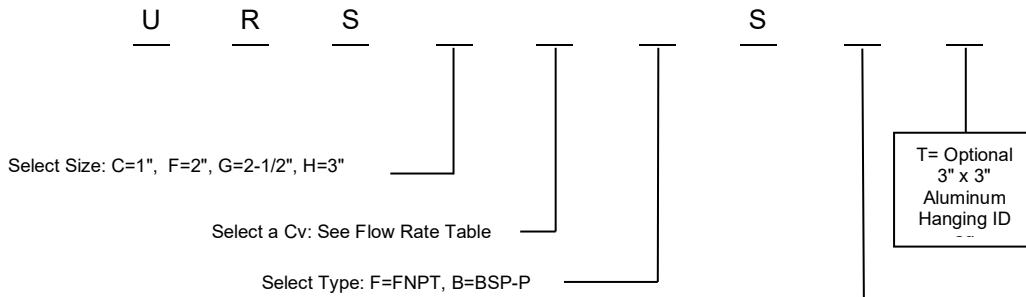
All dimensions are for planning purposes only and may change without notice.

SIZE	MODEL NO.	Cv	A	B	C ¹	DEPTH (NOT SHOWN)	E	F ²	G ³	WEIGHT
1"	URSC__	4.4, 15.3, 26.1, 43.9, 54.2	3.1	4.4	6.8	3.0	2.1	9.0	2.6	1.5
2"	URSF__	57.0, 71.1, 100.0, 210, 266	4.9	6.1	7.7	3.5	2.1	10.7	4.3	5.0
2-1/2"	URSG__	45.0, 55.0, 72.3, 101,162, 202	5.4	6.1	8.0	3.5	2.1	10.7	4.3	5.5
3"	URSH__	49.0, 63.0, 82.0, 124, 145	5.8	6.4	8.1	4.0	2.1	11.0	4.6	6.4

NOTES

¹ Dimension "C" is maximum length, which is measured from end fitting or mounting plate, whichever extends farther.
² Height includes 5.3" long shaft & standard mounting kit. If Neptronic, KMC Controls, or Siemens actuators are used deduct 1.3" from height.
³ Height of valve without mounting kit. For KMC direct mount version add actuator height of 3.6" for full height.

MODEL NUMBER SELECTION



Insert Actuator Model Number. If Actuator is supplied by others, insert "1" for Neptronic, "2" for Johnson Controls, "3" for Schneider Electric, "4" for Honeywell, "5" for Siemens, "6" for Belimo, "7" for KMC, "K" for No Mount. Add "V" to KMC model number for direct mount option.

Cv SELECTION AND FLOW RATE TABLE (GPM)

LINE SIZE	MODEL NO.	FULL ⁴ PORT	CLOSE OFF ⁵ ΔP	FLOWRATE (GPM) @ DIFFERENTIAL PRESSURE (PSI) ACROSS VALVE											
				2-Position HVAC Apps				HVAC Modulating Apps							
				Cv ⁶	0.5	1.0	1.5	2.0	2.5	3.0	3.5	4.0	4.5	5.0	7.0
1"	URSC7		100PSI	3.1	4.4	5.4	6.2	7.0	7.6	8.2	8.8	9.3	9.8	11.6	13.9
	URSC3			10.8	15.3	18.7	21.6	24.2	26.5	28.6	30.6	32.5	34.2	40.5	48.4
	URSC4	•		38.3	54.2	66.4	76.7	85.7	93.9	101.4	108.4	115.0	121.2	143.4	171.4
	URSC5			18.5	26.1	32.0	36.9	41.3	45.2	48.8	52.2	55.4	58.4	69.1	82.5
2"	URSC6		100PSI	31.0	43.9	53.8	62.1	69.4	76.0	82.1	87.8	93.1	98.2	116.1	138.8
	URSF5			40.3	57.0	69.8	80.6	90.1	98.7	106.6	114.0	120.9	127.5	150.8	180.2
	URSF3			50.3	71.1	87.1	100.6	112.4	123.1	133.0	142.2	150.8	159.0	188.1	225
	URSF6			70.7	100.0	122.5	141.4	158.1	173.2	187.1	200	212	224	265	316
2-1/2"	URSF7		100PSI	148.5	210	257	297	332	364	393	420	445	470	556	664
	URSF4	•		188.1	266	326	376	421	461	498	532	564	595	704	841
	URSG2			31.8	45.0	55.1	63.6	71.2	77.9	84.2	90.0	95.5	100.6	119.1	142.3
	URSG3			38.9	55.0	67.4	77.8	87.0	95.3	102.9	110.0	116.7	123.0	145.5	173.9
3"	URSG4		100PSI	50.9	72.0	88.2	101.8	113.8	124.7	134.7	144.0	152.7	161.0	190.5	228
	URSG5			71.4	101.0	123.7	142.8	159.7	174.9	189.0	202.0	214.3	225.8	267.2	319
	URSG6			114.6	162.0	198.4	229	256	281	303.1	324	344	362	429	512
	URSG7	•		142.8	202	247	286	319	350	378	404	429	452	534	639
3"	URSH1		100PSI	34.6	49.0	60.0	69.3	77.5	84.9	91.7	98.0	103.9	109.6	129.6	155.0
	URSH2			44.5	63.0	77.2	89.1	99.6	109.1	117.9	126.0	133.6	140.9	166.7	199.2
	URSH3			58.0	82.0	100.4	116.0	129.7	142.0	153.4	164.0	173.9	183.4	217	259
	URSH4			87.7	124.0	151.9	175.4	196.1	215	232	248	263	277	328	392
	URSH5	•		102.5	145.0	177.6	205	229	251	271	290	308	324	384	459

NOTES

- ⁴ These valves are full port and do not have the Optimizer insert.
- ⁵ Close-Off Pressures measured with 35 in-lb. actuator. The "Close Off Pressure" is the maximum allowable pressure drop across the valve body when the valve is fully closed. (Do not use actuators capable of torques higher than 90 in-lbs)
- ⁶ Cv is defined as the quantity of water in GPM at 60°F that will flow through a given valve with a pressure drop of 1PSI. Hence the 1.0 PSI pressure differential column in the table above is equivalent to the Cv value.

ACTUATOR SELECTION



The Griswold Controls Universal Mounting Plate on all 1/2" to 3" valves is compatible with the following actuators besides the actuators detailed in the following tables. Direct Mount Option available on KMC Actuators Only. Contact the factory if you have a different model number not listed below.⁷

- Honeywell:** ML6161D2006, ML6174D2009, ML7161A2008, ML7174A2001, ML6185A1000, ML6185C1008, ML8185A1008, ML8185C1006, ML7285A1007, ML7285C1005, MN6105, MN7510, MN7520, MN6110
- Schneider Electric:** MF40-6083, MA40-7043, MA40-7043-501, MA40-7040, MA40-7040-501, MF40-7043, MF40-7043-501, MS40-7043, MS40-7043-501
- Johnson Controls:** M9106-AGA2, M9106-AGC2, M9106-GGA2, M9106-GGC2, M9206-AGA2, M9206-AGC2, M9206-GGA2, M9206-GGC2, M9104-AGA-2S, M9208-GGA-2, M9208-GGA-3
- Belimo:** LM24, LM24S, LF24, LF24S, LF120, LF120S, LF24-3, LF24-3S, LM24SR, LF24SR, LF24SRS, LMB24-SR-T, LMB24-3-T
- Neptronic:** BBT-24, BBT-1000, BBT-1060, BBT-1021, BBT-1080, BBTHV-1100, BBTHV-1160, BBTHV-1120, BBTHV-1180, BBM2000A, BBM2060A

SUITABLE FOR 1/2" TO 3" VALVES

KMC CONTROLS ⁸	MEP-4001	MEP-4002	MEP-4554	MEP-4555	MEP-4501	MEP-4552	MEP-4551	MCP-36315000
Power Supply	24 Vac	24 Vac	24 Vac/dc	100-240 Vac	24 Vac	24 Vac	24 Vac	Pneumatic
Torque	40 in-lb	40 in-lb	45 in-lb	45 in-lb	40 in-lb	45 in-lb	45 in-lb	59 in-lb
Control Signal: On/Off			•	•	•			
Control Signal: 3 Point	•				•		•	
Control Signal:		Modulating 2-10VDC				Modulating 2-10VDC		8-13 psi
Speed	90 sec	90 sec	<35 sec	<25 sec	<35 sec	50 sec	90 sec	
Fail Safe (Capacitor)			•	•		•	•	
Operating Power	2 VA	4 VA	6 VA	6 VA	6 VA	6 VA	6 VA	
Mounting Components	9656-250	9656-250	9656-248	9656-248	9656-248	9656-250	9656-250	9656-852
Weight	1.1 pounds	1.1 pounds	1.5 pounds	1.5 pounds	1.1 pounds	3.0 pounds	3.0 pounds	1.5 pounds
Wiring Diagram	See actuator cover for wiring diagram							

SIEMENS	GDE131.1P	GDE161.1P	GMA121.1P	GMA131.1P	GMA161.1P
Power Supply	24Vac	24Vac	24Vac/dc	24Vac/dc	24Vac/dc
Torque	44 in-lb	44 in-lb	62 in-lb	62 in-lb	62 in-lb
Control Signal: On/Off			•		
Control Signal: 3 Point	•			•	
Control Signal: Modulating 0-10 VDC		•			•
Speed	90 sec	90 sec	90 sec	90 sec	90 sec
Fail Safe (Spring Return)			•	•	•
Operating Power	3.3 VA	3.3 VA	5 VA	5 VA	5 VA
Mounting Components	9656-250	9656-250	9656-250	9656-250	9656-250
Weight	1.1 pounds	1.1 pounds	3.0 pounds	3.0 pounds	3.0 pounds
Wiring Diagram	<p>Where 6 is CW and 7 is CCW</p>				

NOTES

⁷ Do not use actuators capable of torques higher than 90 in-lbs.
⁸ Add V to KMC model number for direct mount option.