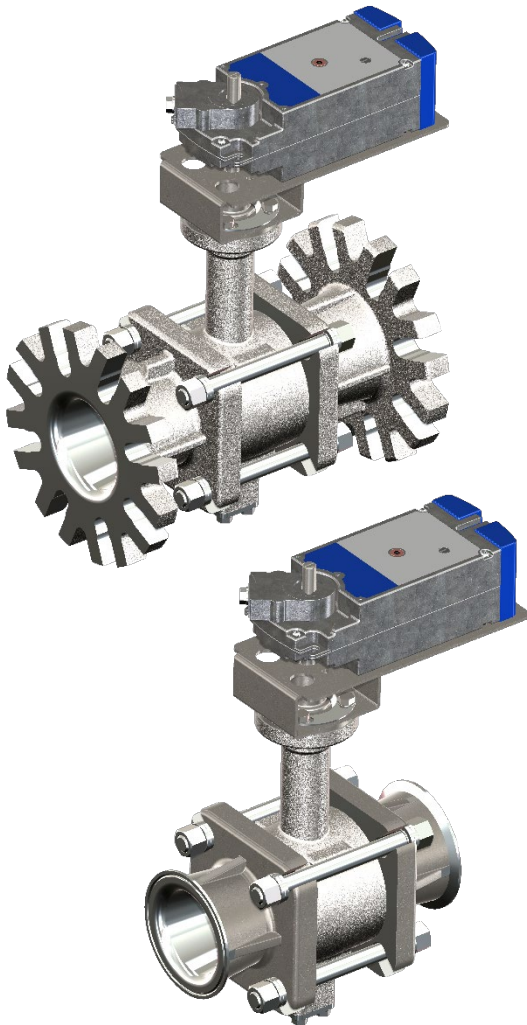


SPECIFICATIONS



Static Pressure/Temp Service: 240 PSI / -4°F to 250°F
Chilled water, hot water, up to 50% Glycol, low pressure steam up to 15 psi.

Body Material: 304 Stainless Steel

End Connections: ANSI Class 125 Flange Compatible with 3" or 4" pipe connections or 4" Tri-Clamp

Stem: 304 Stainless Steel

Stem Trim: Bronze/Brass

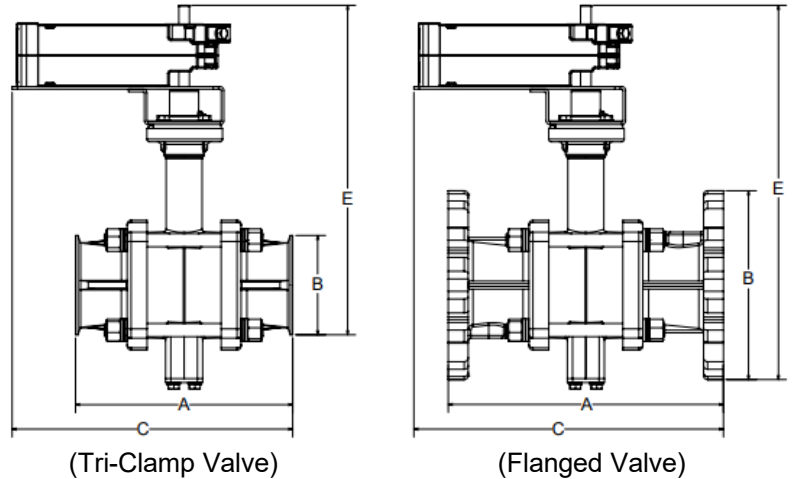
Stem Seals: EPDM O-Rings

Ball Valve: 304 Stainless Steel

Ball Seals: Teflon Seals

Angle of Rotation: 0-90°

Leakage: ANSI Class IV Leakage Rate.¹



DIMENSIONS & WEIGHTS (NOMINAL) (measured in inches and lbs unless noted)

All dimensions are for planning purposes only and may change without notice.

SIZE	A	B	C ²	D:DEPTH (NOT SHOWN)	E	WEIGHT
3" or 4" Flange	13.0	8.9	14.6	9.0	17.7	65
4" Tri-Clamp	10.3	4.7	13.3	9.0	15.5	60

NOTES

¹ Leakage rate based on largest Cv of the ball.

² Dimension "C" is maximum length, which is measured from end flange or mounting plate, whichever extends farther.

ACTUATOR SELECTION

The Griswold Controls Universal Mounting Plate is compatible with the following actuators besides the actuators detailed in the following tables.

Honeywell: ML6284A1027, MN6120A1002, MN6120A1200, MN6134A1003, MN7220A2205, MN7510A2209, MN7510A2001, MN6110A1201, MN6110A1003, MS3110/MS3120/ MS4110/MS4120/ MS4610/MS4620/ MS7110/MS7120/ MS7510/MS7520/ MS8110/MS8120

Schneider Electric: MF41-6153, MS41-6153, MA4x-7153, MA4x-7153-502, MS4x-7153, MS4x-7153-502, MF4x-7153, MF4x-7153-502,

Johnson Controls: M9116-xxx-2, 9124-xxx-2, 9132-xxx-2, M9216-xGx-2, M9208-Bxx-3, M9106-xGx, M9208-GGx-x, M9109, M9220-xxx-3

Belimo: AM24, AM24-SR, AF24, AF24-SR, AFB24, AFB24-SR, AFX24, NFB24, NFX24, AFB24-S, AFB24-SR-S, AFX24-S, NFB24-S, NFX24-S, AFB24-MFT, AFB24-SR-MFT, AFX24-MFT, NFB24-MFT, NFX24-MFT, AFB24-MFT-S, AFB24-SR-MFT-S, AFX24-MFT-S, NFB24-MFT-S, NFX24-MFT-S

Valves require 88 in-lb. actuator. For flowrates greater than 700 gpm a 200 in-lb actuator is recommended.

SIEMENS	GLB131.1P	GLB 161.1P	GEB131.1P	GEB161.1P
Power Supply	24Vac	24Vac	24Vac	24Vac
Torque	88 in-lb	88 in-lb	132 in-lb	132 in-lb
Control Signal: 3 Point	•		•	
Control Signal: Modulating 0–10 VDC		•		•
Speed	125 sec	125 sec	125 sec	125 sec
Built-in Auxiliary Switches				
Position Feedback				•
Operating Power	2.3 VA	3.3 VA	3 VA	5 VA
Mounting Clip	9656-762	9656-762	9656-817	9656-817
Weight	1.1 pounds	1.1 pounds	2.2 pounds	2.2 pounds
Enclosure	Nema 2	Nema 2	Nema 1	Nema 1

SIEMENS	GCA121.1P	GCA131.1P	GCA161.1P
Power Supply	24Vac/dc	24Vac/dc	24Vac/dc
Torque	142 in-lb	142 in-lb	142 in-lb
Control Signal: On/Off	•		
Control Signal: 3 Point		•	
Control Signal: Modulating 0–10 VDC			•
Speed	90 sec	90 sec	90 sec
Built-in Auxiliary Switches			
Fail Safe (Spring Return)	•	•	•
Operating Power	7 VA	7 VA	7 VA
Mounting Clip	9656-759	9656-759	9656-759
Weight	4.4 pounds	4.4 pounds	4.4 pounds

KMC CONTROLS	MEP-4951	MEP-4952	MEP-4972	MEP-4954	MEP-4974
Power Supply	24 Vac	24 Vac	24 Vac	24 Vac	24 Vac
Torque	90 in-lb	90 in-lb	90 in-lb	90 in-lb	90in-lb
Control Signal: On/Off				•	•
Control Signal: 3 Point	•				
Control Signal:		Modulating 2-10VDC	Modulating 2-10VDC		
Speed	< 45 sec	< 80 sec	< 80 sec	< 45 sec	< 45 sec
Fail Safe (Capacitor)	•	•	•	•	•
Built-in Auxiliary Switches			•		•
Operating Power	6VA	6 VA	6 VA	6 VA	6 VA
Mounting Clip	9656-762	9656-762	9656-762	9656-762	9656-762
Weight	1.5 pounds	1.5 pounds	1.5 pounds	1.5 pounds	1.5 pounds