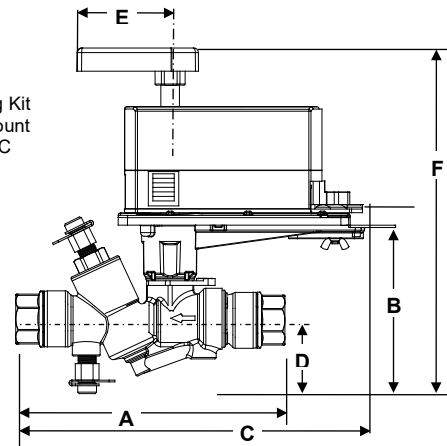


SPECIFICATIONS

Static Pressure/Temp: 360 PSI / -4°F to 250°F (600 WOG)
Service: Chilled water, hot water, up to 50% Glycol
Flow Optimizer: Glass Filled Polymer
Body Material: Forged DZR Brass
End Connections: Brass
Stem: Brass (Optional Stainless Steel)
Stem Seals: EPDM O-Rings
Ball Valve: Stainless Steel ball
Field Repairable Stem: Dual Teflon seals and EPDM O-ring
Ball Seals: Teflon Seals with EPDM O-Rings
Angle of Rotation: 0-90°
Accessories: Combination P/T Test Valve and Manual Air Vent (CPTA) Standard
Leakage Rate: ANSI Class IV, .01% of Cv

Standard Mounting Kit
 Shown – Direct Mount
 available for KMC
 actuators



DIMENSIONS & WEIGHTS (NOMINAL)

All dimensions are for planning purposes only and may change without notice.

SIZE	A ¹	B	C ¹	D	E	F ²	WEIGHT
1/2"	5.7	5.3	8.6	2.0	2.0	10.0	2.5
3/4"	5.7		8.6				
1"	5.9		8.7				
1"L	9.5	6.0	11.3	2.5		10.5	7.1
1-1/4"	9.0		11.0				
1-1/2"	8.8		10.8				
1-1/2"L	10.8	6.8	12.6	3.0		11.5	13.7
2"	11.0		13.0				
2-1/2"	11.5		13.3				
3"	12.8		14.4				

NOTES:

¹ Length measured with fixed end FNPT; SWT end connection may be longer.

² Height is measured with 5.3" long shaft. If Neptronic, KMC Controls, or Siemens actuators are used deduct 1.3" from the height.

ACTUATOR SELECTION



The Griswold Controls Universal Mounting Plate on all 1/2" to 3" valves is compatible with the following actuators besides the actuators detailed in the following tables. Direct Mount Option available on KMC Actuators Only. Contact the factory if you have a different model number not listed below.⁵

- Honeywell:** ML6161D2006, ML6174D2009, ML7161A2008, ML7174A2001, ML6185A1000, ML6185C1008, ML8185A1008, ML8185C1006, ML7285A1007, ML7285C1005, MN6105, MN7510, MN7520, MN6110
- Schneider Electric:** MF40-6083, MA40-7043, MA40-7043-501, MA40-7040, MA40-7040-501, MF40-7043, MF40-7043-501, MS40-7043, MS40-7043-501
- Johnson Controls:** M9106-AGA2, M9106-AGC2, M9106-GGA2, M9106-GGC2, M9206-AGA2, M9206-AGC2, M9206-GGA2, M9206-GGC2, M9104-AGA-2S, M9208-GGA-2, M9208-GGA-3
- Belimo:** LM24, LM24S, LF24, LF24S, LF120, LF120S, LF24-3, LF24-3S, LM24SR, LF24SR, LF24SRS, LMB24-SR-T, LMB24-3-T
- Neptronic:** BBT-24, BBT-1000, BBT-1060, BBT-1021, BBT-1080, BBTHV-1100, BBTHV-1160, BBTHV-1120, BBTHV-1180, BBM2000A, BBM2060A

SUITABLE FOR 1/2" TO 3/4" VALVES ONLY

KMC CONTROLS ⁶	MEP-4201	MEP-4255	MEP-4252
Power Supply	24 Vac/dc	100-240 Vac	24 Vac/dc
Torque	25 in-lb	25 in-lb	25 in-lb
Control Signal: On/Off	•	•	
Control Signal: 3 Point	•		
Control Signal:			Modulating 2-10VDC
Speed	<35 sec	<25 sec	<50 sec
Fail Safe (Capacitor)		•	•
Operating Power	6 VA	6 VA	6 VA
Mounting Components	9656-248	9656-248	9656-248
Weight	1.1 pounds	1.5 pounds	1.5 pounds
Wiring Diagram	See actuator cover for wiring diagram		

NOTES:

⁵ Do not use actuators capable of torques higher than 90 in-lbs.

⁶ Add V to KMC model number for direct mount option.

SUITABLE FOR 1/2" TO 3" VALVES

KMC CONTROLS ⁷	MEP-4001	MEP-4002	MEP-4554	MEP-4555	MEP-4501	MEP-4552	MEP-4551	MCP-36315000
Power Supply	24 Vac	24 Vac	24 Vac/dc	100-240 Vac	24 Vac	24 Vac	24 Vac	Pneumatic
Torque	40 in-lb	40 in-lb	45 in-lb	45 in-lb	40 in-lb	45 in-lb	45 in-lb	59 in-lb
Control Signal: On/Off			•	•	•			
Control Signal: 3 Point	•				•		•	
Control Signal:		Modulating 2-10VDC				Modulating 2-10VDC		8-13 psi
Speed	90 sec	90 sec	<35 sec	<25 sec	<35 sec	50 sec	90 sec	
Fail Safe (Capacitor)			•	•		•	•	
Operating Power	2 VA	4 VA	6 VA	6 VA	6 VA	6 VA	6 VA	
Mounting Components	9656-250	9656-250	9656-248	9656-248	9656-248	9656-250	9656-250	9656-852
Weight	1.1 pounds	1.1 pounds	1.5 pounds	1.5 pounds	1.1 pounds	3.0 pounds	3.0 pounds	1.5 pounds
Wiring Diagram	See actuator cover for wiring diagram							

SIEMENS	GDE131.1P	GDE161.1P	GMA121.1P	GMA131.1P	GMA161.1P
Power Supply	24Vac	24Vac	24Vac/dc	24Vac/dc	24Vac/dc
Torque	44 in-lb	44 in-lb	62 in-lb	62 in-lb	62 in-lb
Control Signal: On/Off			•		
Control Signal: 3 Point	•			•	
Control Signal: Modulating 0-10 VDC		•			•
Speed	90 sec	90 sec	90 sec	90 sec	90 sec
Fail Safe (Spring Return)			•	•	•
Operating Power	3.3 VA	3.3 VA	5 VA	5 VA	5 VA
Mounting Components	9656-250	9656-250	9656-250	9656-250	9656-250
Weight	1.1 pounds	1.1 pounds	3.0 pounds	3.0 pounds	3.0 pounds
Wiring Diagram	<p>Where 6 is CW and 7 is CCW</p>				

NOTES:

⁷ Add V to KMC model number for direct mount option.