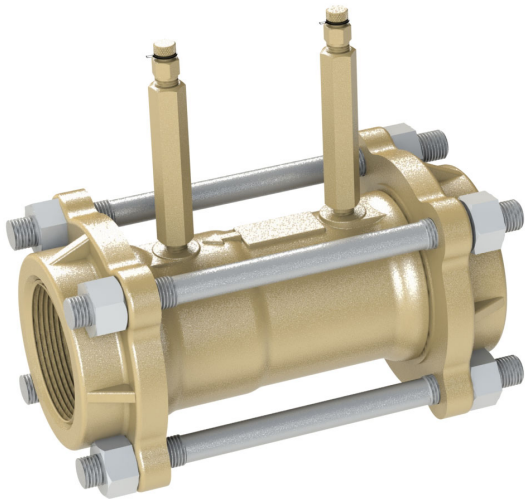


BRONZE VALVE BODY



SPECIFICATIONS

PSI / Temperature Rating: 250 PSI / 350° F
Cartridge: AISI Type 304 stainless steel
 AISI Type 17-7 PH stainless steel spring
Body Material: Naval Bronze ASTM B61-922
End Connections: Female NPT
Seals: EPDM O-Rings
Body Tappings: 1/4" NPT with P/T test valves
Assembly: Valve comes fully assembled.
 Pressure/temperature extensions are shipped loose.

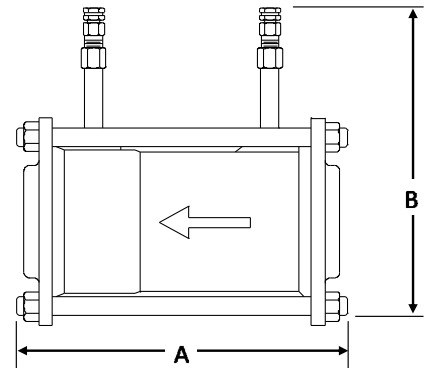
FLOW RATES (+/-5%)

SIZE	MODEL NO.	HEAD LOSS IN FEET ¹	PSID RANGE	GPM			HEAD LOSS IN FEET ¹	PSID RANGE	HIGHER FLOW RATES/ NO INCREMENTS
				MIN.	INCREMENT	MAX			
1-1/2", 2", 2-1/2"	3541	3.5	1-20	14.0	2.0	60	9.2	4-20	90, 110, 130
	3542	7.4	2-32	17.5	2.5	75	18.4	8-32	110, 135, 160
	3544	13.4	4-57	23.33	3.33	100	NONE		
	3548	30.0	8-128	35.0	5.0	150			

DIMENSIONS & WEIGHTS (NOMINAL)

All dimensions are for planning purposes only and may change without notice.

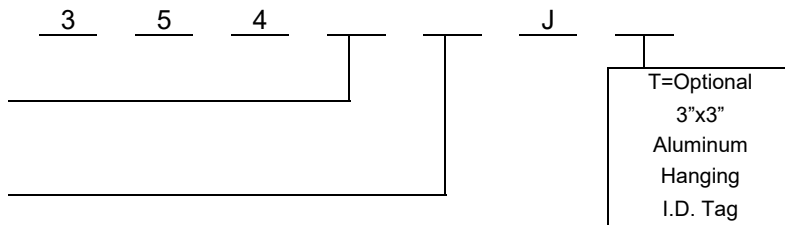
SIZE	MODEL NO.	A LENGTH	B HEIGHT	WEIGHT (LBS.)
1-1/2"	354_	9.25	10.25	19
2"		9.25		19
2-1/2"		10.25		19



MODEL NUMBER SELECTION²

Select a PSID control range
 (1=1-20 or 4-20, 2=2-32 or 8-32, 4=4-57, 8=8-128)

Insert "K" for 1-1/2", "L" for 2", "M" for 2-1/2"



NOTES

¹ Head Loss in Feet is provided for pump head calculations. (1 PSI = 2.307 Feet of Water)

² Model no. and flow rate are indicated on label affixed to body.