



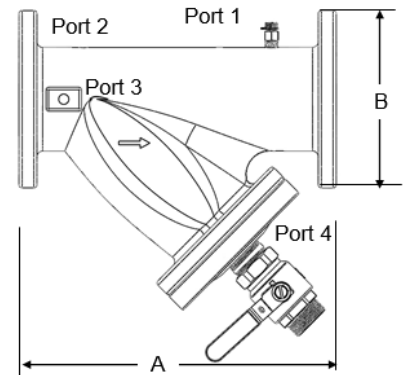
**SPECIFICATIONS**

**PSI/Temperature Rating:** 232 PSI / 200° F  
**Body Material:** Cast Iron ASTM A126 Class B  
**End Connections:** Flanges ANSI B16.5 Class 125  
**Body Tappings<sup>1</sup>:** Port 1: 1/4" NPT with PT; Port 2: 1/4" NPT; Port 3: 3/4" NPT; Port 4: Ball Valve to be used as drain valve  
**Strainer:** Stainless steel 304 ASTM A167

**DIMENSIONS & WEIGHTS (NOMINAL)**

All dimensions are for planning purposes only and may change without notice.

SIZE	A LENGTH <sup>2</sup>	B HEIGHT	BOLT CIRCLE	HOLE Dia.	# OF HOLES	DRAIN SIZE	WEIGHT (LBS.)
2-1/2"	10.7 - 11.4	7.1	5.5	0.75	4	1"	36
3"	11.5 - 12.2	7.5	6.0	0.75	4	1"	44
4"	13.8	9.1	7.5	0.88	8	1-1/4"	68
5"	15.8 - 16.5	10.0	8.5	0.88	8	1-1/4"	117
6"	18.5 - 18.9	11.0	9.5	0.88	8	1-1/2"	147
8"	21.4 - 23.6	13.6	11.8	0.88	8	1-1/2"	246
10" <sup>1</sup>	26.0	15.9	14.3	1	12	2"	370
12" <sup>1</sup>	30.0	19.1	17.0	1	12	2"	579



**MODEL NUMBER SELECTION**

PORT STYLE	2-1/2"	3"	4"	5"	6"	8"	10"	12"
(1) 1/4" Port with PT; (1) 1/4" Port with plug and (1) 3/4" Port with plug (1) Port with Ball Valve	8274-32	8274-33	8274-34	8274-35	8274-36	8274-37	8274-56	8274-57

**OPTIONS (ORDER AS SEPARATE LINE ITEMS, INSTALLED IN THE FIELD):**

Pressure/Temperature Test Valve – 1/4": 6889  
 Manual Air Vent – 1/4": 738-01  
 Thermowell for 2-1/2" to 4" Strainer – 3/4"x2" Stem: 6889-11  
 Thermowell for 5" to 8" Strainer – 3/4"x4" Stem: 6889-12

**NOTES**

<sup>1</sup> 10" and 12" don't include ports 1, 2 or 3  
<sup>2</sup> The length can vary between casting foundries. Please contact Griswold Controls at time of order for length of product.



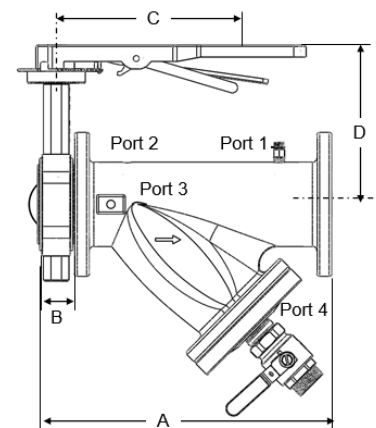
**SPECIFICATIONS**

**PSI/Temperature Rating:** 175 PSI / 200° F  
**Body Material:** Cast Iron ASTM A126 Class B  
**End Connections:** Flanges ANSI B16.1 Class 125  
**Body Tappings:** Port 1: 1/4" NPT with PT; Port 2: 1/4" NPT; Port 3: 3/4" NPT; Port 4: Ball Valve to be used as drain valve  
**Strainer:** Stainless steel 304 ASTM 167  
**Butterfly Valve:** Cast Iron ASTM A126 Class B  
 EPDM, Aluminum bronze, stainless steel stem  
**Assembly:** Valve comes fully assembled. Mating flanges supplied by others.

**DIMENSIONS & WEIGHTS (NOMINAL)**

All dimensions are for planning purposes only and may change without notice.

SIZE	A LENGTH	B <sup>3</sup>	C	D	HOLE Dia.	# OF HOLES	DRAIN SIZE	WEIGHT (LBS.)
2-1/2"	12.8	1.8	10.5	6.0	0.75	4	1"	57
3"	16.4	1.8	10.5	6.3	0.75	4	1"	86
4"	15.9	2.0	10.5	7.0	0.88	8	1-1/4"	90
5"	18.1	2.1	10.5	7.5	0.88	8	1-1/4"	150
6"	21.1	2.1	10.5	8.0	0.88	8	1-1/2"	196
8"	26.1	2.5	14.0	9.5	0.88	8	1-1/2"	245



**MODEL NUMBER SELECTION**

3
6
5
0
B

Insert M=2-1/2", N=3", P=4", Q=5", R=6", S=8"

Add "W" for optional weldneck flanges

**OPTIONS (ORDER AS SEPARATE LINE ITEMS, INSTALLED IN THE FIELD):**

Pressure/Temperature Test Valve – 1/4": 6889  
 Manual Air Vent – 1/4": 738-01

**NOTES**

<sup>3</sup> B dimension does not include seat.