

SPECIFICATIONS:

PSI/Temperature Rating: 175 PSI / 150° F
Body Material: Cast Iron ASTM A126 Class B
End Connections: Flanges ANSI B16.1 Class 125
Body Tappings¹: Port 1: 1/4" NPT with PT; Port 2: 1/4" NPT; Port 3: 3/4" NPT; Port 4: Ball Valve to be used as drain valve
Strainer: Stainless steel 304 ASTM A167
Assembly: Mating flanges supplied by others.

DIMENSIONS & WEIGHTS (NOMINAL)

SIZE	A LENGTH	B HEIGHT	BOLT CIRCLE	HOLE Dia.	# OF HOLES	DRAIN SIZE	WEIGHT (LBS.)
2-1/2"	11.4	7.1	5.5	0.75	4	1"	36
3"	12.2	7.5	6.0	0.75	4	1"	44
4"	13.8	9.1	7.5	0.88	8	1-1/4"	68
5"	15.8	10.0	8.5	0.88	8	1-1/4"	117
6"	18.9	11.0	9.5	0.88	8	1-1/2"	147
8"	23.6	13.6	11.8	0.88	8	1-1/2"	246
10" ¹	28.7	15.9	14.3	1	12	2"	370
12" ¹	33.5	19.1	17.0	1	12	2"	579

MODEL NUMBER SELECTION

PORT STYLE	2-1/2"	3"	4"	5"	6"	8"	10"	12"
(1) 1/4" Port with PT; (1) 1/4" Port with plug and (1) 3/4" Port with plug (1) Port with Ball Valve	8274-32	8274-33	8274-34	8274-35	8274-36	8274-37	8274-56	8274-57

OPTIONS (ORDER AS SEPARATE LINE ITEMS, INSTALLED IN THE FIELD):

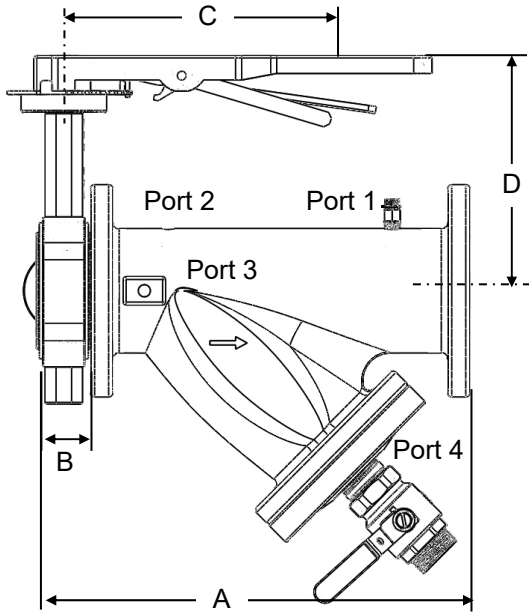
Pressure/Temperature Test Valve – 1/4": 6889
 Manual Air Vent – 1/4": 738-01
 Thermowell for 2-1/2" to 4" Strainer – 3/4"x2" Stem: 6889-11
 Thermowell for 5" to 8" Strainer – 3/4"x4" Stem: 6889-12

NOTES

¹ 10" and 12" don't include ports 1, 2 or 3

Replaces form F-2368

This specification © 2019 Griswold Controls



SPECIFICATIONS:

PSI/Temperature Rating: 175 PSI / 150° F
Body Material: Cast Iron ASTM A126 Class B
End Connections: Flanges ANSI B16.1 Class 125
Body Tappings: Port 1: 1/4" NPT with PT; Port 2: 1/4" NPT; Port 3: 3/4" NPT; Port 4: Ball Valve to be used as drain valve
Strainer: Stainless steel 304 ASTM 167
Butterfly Valve: Cast Iron ASTM A126 Class B EPDM, Aluminum bronze, stainless steel stem
Assembly: Valve comes fully assembled. Mating flanges supplied by others.

DIMENSIONS & WEIGHTS (NOMINAL)

SIZE	A LENGTH	B ²	C	D	HOLE Dia.	# OF HOLES	DRAIN SIZE	WEIGHT (LBS.)
2-1/2"	12.8	1.8	10.5	6.0	0.75	4	1"	57
3"	16.4	1.8	10.5	6.3	0.75	4	1"	86
4"	15.9	2.0	10.5	7.0	0.88	8	1-1/4"	90
5"	18.1	2.1	10.5	7.5	0.88	8	1-1/4"	150
6"	21.1	2.1	10.5	8.0	0.88	8	1-1/2"	196
8"	26.1	2.5	14.0	9.5	0.88	8	1-1/2"	245

MODEL NUMBER SELECTION

3 6 5 0 B

Insert M=2-1/2", N=3", P=4", Q=5", R=6", S=8"

Specify W for optional weldneck flanges

OPTIONS (ORDER AS SEPARATE LINE ITEMS, INSTALLED IN THE FIELD):

Pressure/Temperature Test Valve – 1/4": 6889
 Manual Air Vent – 1/4": 738-01

NOTES

² B dimension does not include seat.
 Replaces form F-2368

This specification © 2019 Griswold Controls