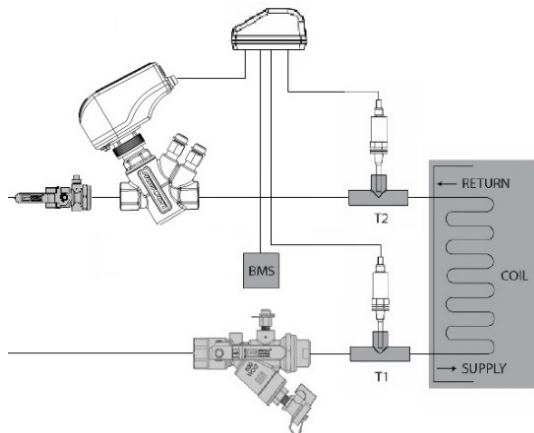


ENERGY-SAVING PRESSURE-INDEPENDENT SYSTEM



The *EPIC System* measures energy usage while monitoring coil performance to adjust a Pressure Independent (PI) Control Valve to optimize coil performance.

The PI Valve maintains the correct flow, in spite of pressure changes, and guarantees the flow only changes when demand requirements change or Delta T is outside of specification.

The Griswold EPIC Controller calculates the BTU and displays the data on an Android and iPhone mobile device

Non-shaded Components = EPIC System
Shaded Components = System Components

PI VALVE SPECIFICATIONS

- PSI / Temperature Rating:** 360 PSI / 248° F1
- Actuator Ambient Temp.:** 34° F to 122° F
- Flow Insert:** Glass reinforced PSU/POM/PPS
- Diaphragm:** 3/4": EPDM; 1-1/2" and 2": Hydrogenated acrylonitrile-butadiene-rubber
- Body Material:** Forged brass
- End Connections:** Female NPT
- O-Rings:** EPDM
- Body Tappings:** P/T Test Valves on AB Valve Housing
- Shut Off Leakage:** IEC 60534-4 – Class IV
- Maximum Close Off:** 58 PSI

PI VALVE ACTUATOR SPECIFICATIONS (FN.0.2/FH.0.2)

- Supply Voltage:** 24V AC/DC
- Power Consumption:** 5 VA (1/2"-1-1/4") 7 VA (1-1/2"-2")
- Frequency:** 50/60 HZ
- Signal:** 0(2)-10Vdc Analog
- Feedback Position Output:** 0(2)-10Vdc
- Turn Time:** 85 seconds (from closed to fully open)
- Electrical Connection:** 39"
- Housing Insulation:** IP 54 including upside down mounting
- Housing Material:** UL94 V0-rated plastic



Listed temperature regulating equipment 41 X 9

Class 2 circuit

GRISWOLD EPIC CONTROLLER SPECIFICATIONS

- Supply Voltage:** 24V DC
- Housing Insulation:** IP 54 including upside down mounting
- Housing Material:** UL94 V0-rated plastic

This specification © 2018 Griswold Controls

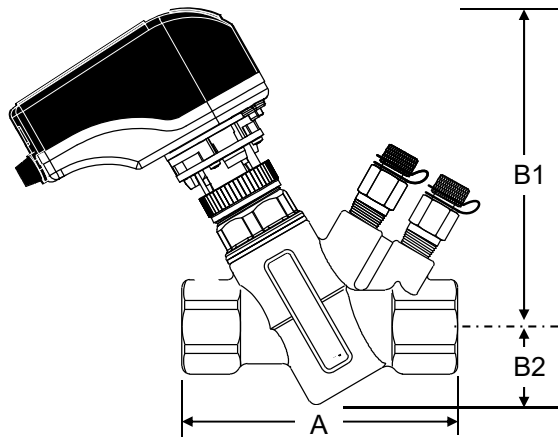
7/18
F-5594

2803 Barranca Parkway, Irvine, CA 92606
 (949) 559-6000 Fax (949) 559-6088
 www.GriswoldControls.com



TEMPERATURE SENSOR (T1 & T2) SPECIFICATIONS

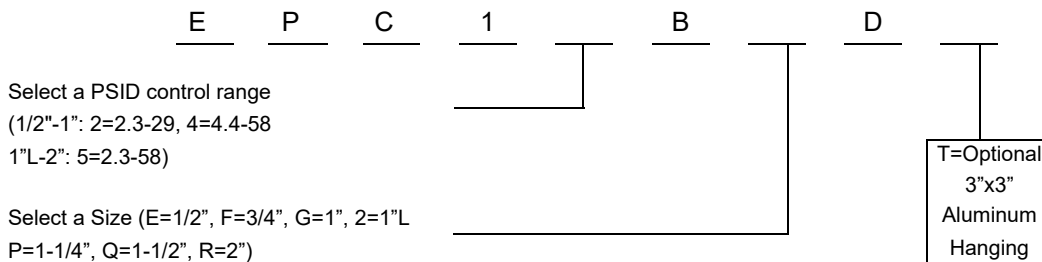
Thermocouple Type: K Type
Temperature Range: 32° to 752°F
Probe: Diameter: 0.2" Length: 2" (Included flexible section)
Internal Insulation: Fiberglass
External Shielding: Metal Shield
Total Length: 39"
Electrical Connection: 2 wire connection (connected directly in the EPIC box)



PI VALVE DIMENSIONS & WEIGHTS (NOMINAL)

SIZE	MODEL NO.	HOUSING	A	B1	B2	Cv ¹	WEIGHT (LBS.)
1/2"	EPC1_BED	AB	3.23	1.22	5.12	3.0	2.0
3/4"	EPC1_BFD		3.70				
1"	EPC1_BGD		4.02				
1"L	EPC1_B2D		5.04	1.85	6.02	14.5	4.7
1-1/4"	EPC1_BPD		7.52	3.95	7.57	39.6	10.7
1-1/2"	EPC1_BQD						
2"	EPC1_BRD						

MODEL NUMBER SELECTION



NOTES

¹ Cvs are based on housing without cartridge. To calculate pressure drop use the formula $\Delta P = (GPM/CV)^2$ and add the pressure drop to the cartridge PSID range.

FLOW RATES (+/-10%)

GPM				SETTING ²
1/2"-1"		1"L-1-1/4"	1-1/2"-2"	
2.3-29 PSID ³	4.4-58 PSID ³	2.3-58 PSID ³	2.3-58 PSID ³	
-	0.282	3.81	8.36	1.0
0.163	0.624	4.46	10.0	1.1
0.370	0.920	5.10	11.7	1.2
0.510	1.18	5.72	13.3	1.3
0.664	1.41	6.32	15.0	1.4
0.792	1.61	6.90	16.7	1.5
0.902	1.80	7.47	18.3	1.6
1.03	1.96	8.02	20.0	1.7
1.14	2.12	8.56	21.6	1.8
1.24	2.27	9.08	23.2	1.9
1.33	2.42	9.59	24.8	2.0
1.41	2.56	10.1	26.4	2.1
1.49	2.69	10.6	28.0	2.2
1.55	2.82	11.0	29.6	2.3
1.63	2.95	11.5	31.2	2.4
1.68	3.08	11.9	32.7	2.5
1.73	3.21	12.4	34.2	2.6
1.79	3.33	12.8	35.7	2.7
1.82	3.45	13.2	37.2	2.8
1.88	3.56	13.6	38.6	2.9
1.93	3.68	14.0	40.0	3.0
1.98	3.79	14.4	41.4	3.1
2.02	3.89	14.7	42.8	3.2
2.06	3.99	15.1	44.1	3.3
2.10	4.08	15.5	45.4	3.4
2.14	4.17	15.8	46.6	3.5
2.17	4.25	16.1	47.8	3.6
2.21	4.32	16.5	49.0	3.7
2.25	4.39	16.8	50.2	3.8
2.28	4.46	17.1	51.3	3.9
2.31	4.51	17.4	52.3	4.0
2.34	4.57	17.7	53.3	4.1
2.37	4.61	18.1	54.3	4.2
2.39	4.66	18.4	55.2	4.3
2.42	4.70	18.7	56.0	4.4
2.43	4.73	19.0	56.8	4.5
2.46	4.77	19.2	57.6	4.6
2.48	4.80	19.5	58.3	4.7
2.50	4.83	19.8	58.9	4.8
2.51	4.86	20.1	59.5	4.9
2.53	4.89	20.4	60.0	5.0

NOTES

² Valve is set to maximum setting at factory.

³ Valve must be within PSID range to control flow and provide accurate BTU values.