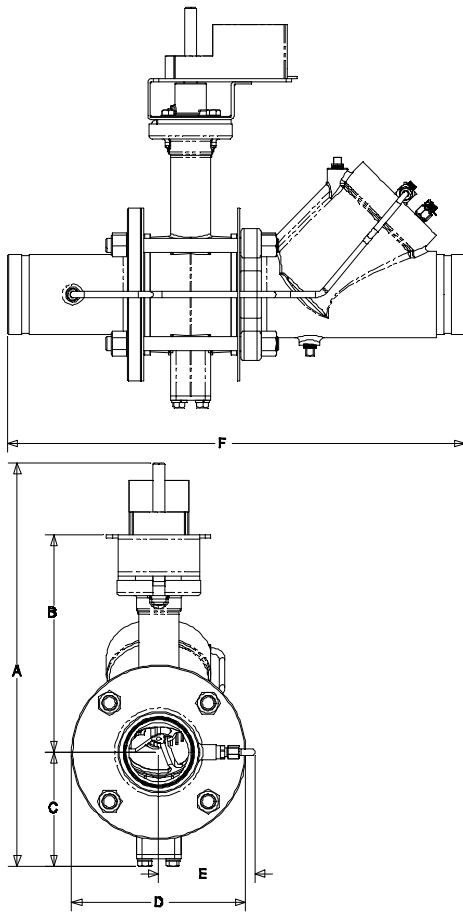


**PRESSURE INDEPENDENT MODULE
ACTUATED BALL VALVE**



SPECIFICATIONS

- PSI/Temperature Rating:** 240 PSI / 250 ° F
Service: Chilled water, hot water, up to 50% Glycol, or contact factory for additional fluids.
Body Material: Cast Iron ASTM A-395, 60-40-18
Pipe: Copper
Connections: Grooved End or Flanged (Flanged valve includes grooved to flange adapters that are compatible with ANSI B 16.5-1968 150 lb. Steel flanges)
Cartridge: AISI Type 304 stainless steel
O-rings: EPDM
Stem: Stainless Steel
Stem Seals: EPDM O-Rings
Ball Valve: Stainless Steel
Ball Seals: Teflon Seals
Angle of Rotation: 0–90°
Accessories: Combination P/T Test Valve and Manual Air Vent (CPTA) Standard

DIMENSIONS & WEIGHTS (NOMINAL) (measured in inches/lbs. unless noted)

SIZE	A HEIGHT	B HEIGHT	C HEIGHT	D FLANGE DEPTH	E OVERALL DEPTH	F LENGTH	WEIGHT
3" FxF	18.1	9.4	4.9	7.5	4.2	19.9	60.6
3" GxG							50.0
4" FxF	18.8	9.7	5.3	9.0	4.9	25.9	116.8
4" GxG							102.0
6" FxF	19.6	10.1	5.7	11.0	6.1	32.5	196.8
6" GxG							177.0

FLOW RANGE (+/-5%)

SIZE	PSID RANGE	MAX GPM	CLOSE OFF PSID
3"	6-60	127	60
	7-60	139	
	8-60	165	
4"	7-60	230	
	9-60	309	
	12-60	365	
6"	4-60	350	
	4.5-60	420	
	3-60	505	

MODEL NUMBER SELECTION

P
I
M
V

Select a Housing Size: : J=3", K=4", L=6" _____

Select End Connection Style: G=Grooved End x Grooved End; F=Flanged End x Flanged End _____

FLOWRANGE		
Valve	PSID	MODEL NUMBER
PIMVJ	6-60	A
PIMVJ	7-60	B
PIMVJ	8-60	C
PIMVK	7-60	D
PIMVK	9-60	E
PIMVK	12-60	F
PIMVL	4-60	G
PIMVL	4.5-60	H
PIMVL	3-60	J

T= Optional 3" x 3" Aluminum Hanging ID Tag

Insert Actuator Model Number. If Actuator is supplied by others, insert "4" for Honeywell and "5" for Siemens, "6" for Belimo and "7" for KMC Controls. **85 in-lb actuators are required for all sizes.**