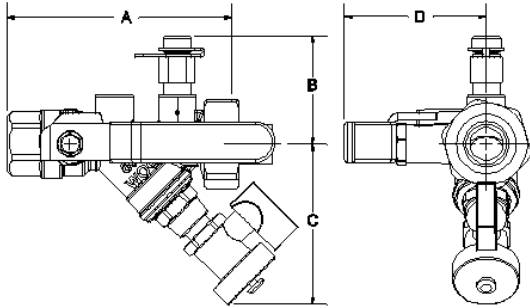


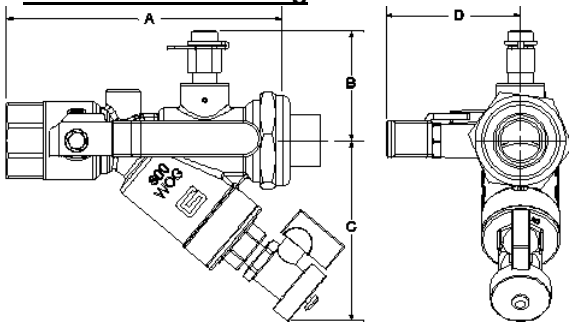
1/2" & 3/4" Housing



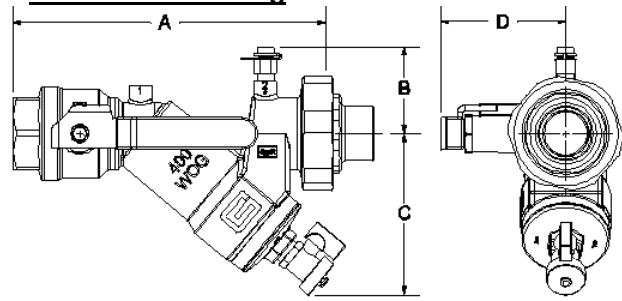
SPECIFICATIONS:

- PSI/Temperature Rating:** 1/2"-1-1/2": 600 WOG 400 PSI / 250° F
 1-1/2"L-3": 400 WOG 275 PSI / 250° F
- Body Material:** 1/2"-1-1/2": Forged Brass ASTM B283-06
 1-1/2"L-3": Cast brass
- End Connections:** Brass – NPT, Sweat, QuickPress¹, Grooved²
- Ball Valve Seals:** Teflon
- Union Seal:** EPDM O-Ring
- Body Tappings³:** Boss for CPTA and Drain Valve
- Ball Valve:** Nickel-plated brass ball
 Optional: Stainless Steel ball
- Field Repairable Stem:** Dual Teflon seals and EPDM O-ring
- Strainer:** 20 mesh stainless steel
- Assembly:** Valve comes fully assembled
- Options:** Combination P/T Test Valve and Manual Air Vent (CPTA), Drain Valve, or 1/2" Bypass⁴, Extension Option

3/4"L - 1-1/2" Housing



1-1/2"L - 3" Housing



DIMENSIONS & WEIGHTS (NOMINAL)

SIZE	A - FIXED END CONNECTION		UNION END CONNECTION ⁵						B	C	D	Cv ⁶	WEIGHT (LBS.)	
	FNPT	SWT	FNPT		MNPT		SWT							
1/2"	3.9	3.8	1/2":1.0	3/4":N/A ⁷	1/2":1.0	3/4":1.2	3/8",1/2":0.8		3/4":1.1	1.9	2.9	1.5	4.7	0.9
3/4"	3.9	4.0					3/4":1.1							
3/4"L	5.4	5.4	1/2",3/4":1.0	1":N/A ⁷	1/2"-3/4":1.0	1":1.4	3/8",3/4":1.0		1":1.3	2.2	3.6	2.6	9.1	2.3
1"	5.4	5.6					1":1.3							
1-1/4"	7.6	7.7	1",1-1/4",1-1/2":1.7		1",1-1/4",1-1/2":1.7 ⁸	1",1-1/4":1.7		1-1/2":1.4	2.5	3.1	3.1	24.6	5.0	
1-1/2"	7.5	7.9				1-1/2":1.4								
1-1/2"L, 2"	9.3	9.8	1-1/4", 1-1/2":1.6	2": N/A ⁷	1",1-1/4":1.8	1-1/2", 2":1.6	1-1/4",2":1.6		1-1/2":1.7	2.6	3.7	3.7	35	8.8
2"L	10.9	11.2	2": 2.5		2": 1.6		2": 1.6							
2-1/2"	11.1	N/A	N/A ⁹						2.9	4.0	4.0	60	12.4	
3"	11.3	N/A												

For QuickPress connections add 3.1" (1/2") 3.6" (3/4", 3/4"L), 4.1" (1"), to the FNPT length (A) listed for a valve.
 All dimensions are for planning purpose only, contact factory for actual measurement at time of order.

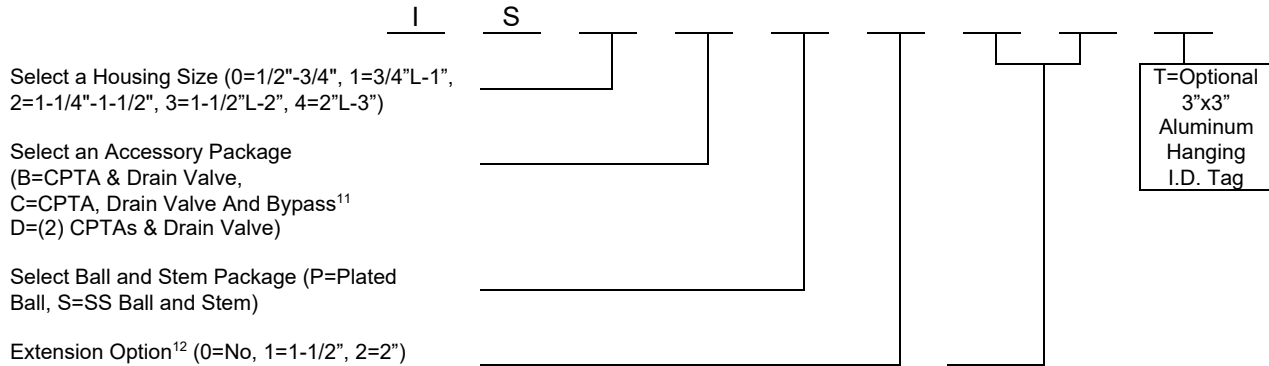
NOTES

- QuickPress is available on 1/2" to 1" valves only. Connections are compatible with popular press tools and are rated for maximum 200 PSI.
- Grooved End connection is available on 2-1/2" and 3" valves only.
- Body Tappings for accessories are a leak proof metal to metal seal and do not require pipe dope or tape. Tape or dope should not be used.
- Bypass is only available on 1/2" to 1-1/2" valves.
- For overall length, add union end connection length to body length.
- Cv's are based on a clean 20 mesh stainless steel strainer.
- Tailpiece is not available for this size. Male tailpiece used with coupling.
- 1-1/4"-1-1/2" valves can also take 1/2"-3/4" MNPT tailpieces.
- 2-1/2" and 3" Valves are fixed end by fixed end connection. Union connection is not available.

Replaces form F-4079E, F-4279C, F-4201F, F-4380B

This specification © 2018 Griswold Controls

MODEL NUMBER SELECTION¹⁰



Valve	FIXED END OR UNION END ¹³ (No Union Tailpiece=Z)			UNION END ONLY ¹³
	Female Threaded	Female Sweat	QuickPress	Male Threaded
IS0	1/2"=E, 3/4"=F ¹⁴	3/8"=K ¹⁵ , 1/2"=L, 3/4"=M	1/2"=2, 3/4"=3	1/2"=H, 3/4"=I
IS1	1/2"=E ¹⁵ , 3/4"=F, 1"=G ¹⁴	3/8"=K ¹⁵ , 1/2"=L ¹⁵ , 3/4"=M, 1"=N	1/2"=2 ¹⁵ , 3/4"=3, 1"=1	1/2"=H, 3/4"=I, 1"=J
IS2	1"=G ¹⁵ , 1-1/4"=P, 1-1/2"=Q	1"=N ¹⁵ , 1-1/4"=K, 1-1/2"=W	N/A	1/2"=H, 3/4"=I, 1"=J, 1-1/4"=S, 1-1/2"=T
IS3	1-1/4"=P ¹⁵ , 1-1/2"=Q, 2"=R ¹⁴	1-1/4"=K ¹⁵ , 1-1/2"=W, 2"=Y	N/A	1-1/4"=S, 1-1/2"=T, 2"=U
IS4 ¹³ (Union)	2"=L	2"=Y	N/A	1-1/4"=S, 1-1/2"=T, 2"=U
IS4 ¹³ (Fixed End)	2"=L, 2-1/2"=M, 3"=N ¹⁶	N/A	N/A	N/A

NOTES

- ¹⁰ Model no. and flow rate are indicated on label affixed to body.
 - ¹¹ C option with bypass is only available for 1/2" to 1-1/2" size.
 - ¹² Extension Option includes handle cover and accessory extensions for either 1-1/2" or 2" insulation.
 - ¹³ Select the Fixed End First and the Union End Second. For 2-1/2" and 3" size select a 2nd fixed end instead of a union end.
 - ¹⁴ Tailpiece is not available for this size. Male tailpiece used with coupling.
 - ¹⁵ Fixed end not available for this size. Union tailpiece only.
 - ¹⁶ For Grooved End option use MG=2-1/2" and NG=3"
- Replaces form F-4079E, F-4279C, F-4201F, F-4380B

This specification © 2018 Griswold Controls

2803 Barranca Parkway, Irvine, CA 92606
 (949) 559-6000 Fax (949) 559-6088
 www.GriswoldControls.com

