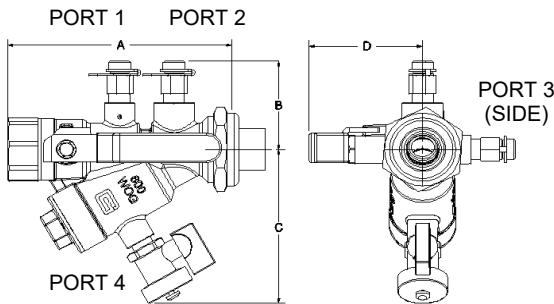
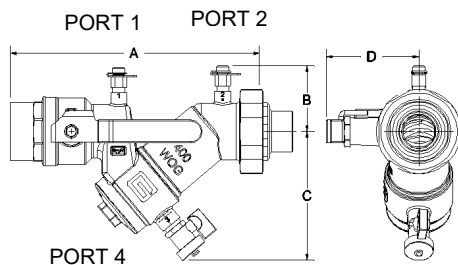


**ACCESSIBLE CARTRIDGE**

**1/2" – 1-1/2" Housing**



**1-1/2" L - 2" Housing**



**SPECIFICATIONS:**

- PSI/Temperature Rating:** 1/2"-1-1/2": 600 WOG 400 PSI / 250° F  
 1-1/2"L-2": 400 WOG 275 PSI / 250° F
- Cartridge:** AISI Type 304 stainless steel  
 AISI Type 17-7 PH stainless steel spring
- Strainer:** 20 mesh stainless steel
- Body Material:** 1/2"-1-1/2": Forged brass ASTM B283-06  
 1-1/2"L-2": Cast brass
- End Connections:** Brass – NPT, Sweat or QuickPress<sup>1</sup>
- Ball Valve Seals:** Teflon
- Union Seal:** EPDM O-Ring
- Body Tappings<sup>2</sup>:** Port 1 and 2: Combination P/T Test Valve and Manual Air Vent (CPTA); Port 4: Drain, 1/4" in YY1, 1/2" in YY2 and YY3
- Ball Valve:** Nickel-plated brass ball  
 Optional: Stainless Steel ball
- Field Repairable Stem:** Dual Teflon seals and EPDM O-ring
- Assembly:** Valve comes fully assembled
- Options:** Port 2: Bypass<sup>3</sup> (1/2" on YY1), Extension Option

**DIMENSIONS & WEIGHTS (NOMINAL)**

SIZE	A - FIXED END CONNECTION		UNION END CONNECTION <sup>4</sup>							B	C	D	Cv <sup>5</sup>	WEIGHT (LBS.)
	FNPT	SWT	FNPT		MNPT		SWT							
1/2"	5.1	5.3												
3/4"	5.2	5.3	1/2", 3/4":1.0	1":N/A <sup>6</sup>	1/2"-3/4":1.0	1":1.4	3/8", 3/4":1.0	1/2":0.7	1":1.3	2.2	3.8	2.2	8.4	2.6
1"	5.2	5.4												
1"L	7.5	7.8												
1-1/4"	7.2	7.3	1", 1-1/4", 1-1/2":1.7		1", 1-1/4", 1-1/2":1.7 <sup>7</sup>		1", 1-1/4":1.7		1-1/2":1.4	2.5	4.8	2.3	19.1	5.2
1-1/2"	7.1	7.5												
1-1/2"L	9.6	9.8	1-1/4", 1-1/2":1.6	2": N/A <sup>6</sup>	1", 1-1/4":1.8	1-1/2", 2":1.6	1-1/4", 2":1.6		1-1/2":1.7	2.6	5.3	2.5	37	7.0
2"	9.5	10.1											40	9.0

For QuickPress connections add 3.1" (1/2") 3.6" (3/4"), 4.1" (1") to the FNPT length (A) listed for a valve.  
 All dimensions are for planning purpose only, contact factory for actual measurement at time of order.

**NOTES**

- <sup>1</sup> QuickPress is available on 1/2" to 1" valves only. Connections are compatible with popular press tools and are rated for maximum 200 PSI.
- <sup>2</sup> Body Tappings for accessories are a leak proof metal to metal seal and do not require pipe dope or tape. Tape or dope should not be used.
- <sup>3</sup> Bypass is only available on 1/2" to 1-1/2" valve. 1"L to 1-1/2" valves have a bypass that is a line size tee.
- <sup>4</sup> For overall length, add union end connection length to body length.
- <sup>5</sup> Cv's are based on housing with a clean 20 mesh strainer but without the cartridge.
- <sup>6</sup> Tailpiece is not available for this size. Male tailpiece used with coupling.
- <sup>7</sup> 1-1/4"-1-1/2" valves can also take 1/2"-3/4" MNPT tailpieces.

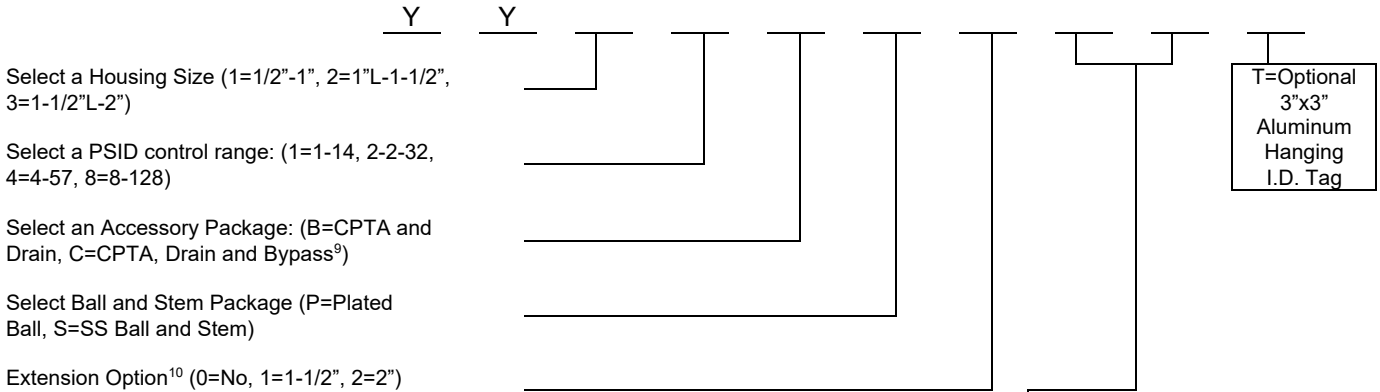
Replaces form F-4093B and F-4203F

**This specification © 2018 Griswold Controls**

2803 Barranca Parkway, Irvine, CA 92606  
 (949) 559-6000 Fax (949) 559-6088  
 www.GriswoldControls.com



**MODEL NUMBER SELECTION<sup>8</sup>**



Valve	FIXED END OR UNION END <sup>11</sup> (No Union Tailpiece=Z)			UNION END ONLY <sup>11</sup>
	Female Threaded	Female Sweat	QuickPress	Male Threaded
YY1	1/2"=E, 3/4"=F, 1"=G <sup>12</sup>	3/8"=K <sup>13</sup> , 1/2"=L, 3/4"=M, 1"=N	1/2"=2, 3/4"=3, 1"=1	1/2"=H, 3/4"=I, 1"=J
YY2	1"=G, 1-1/4"=P, 1-1/2"=Q	1"=N, 1-1/4"=K, 1-1/2"=W	N/A	1/2"=H, 3/4"=I, 1"=J, 1-1/4"=S, 1-1/2"=T
YY3	1-1/4"=P <sup>13</sup> , 1-1/2"=Q, 2"=R <sup>12</sup>	1-1/4"=K <sup>13</sup> , 1-1/2"=W, 2"=Y	N/A	1-1/4"=S, 1-1/2"=T, 2"=U

**FLOW RATES (+/-5%)**

SIZE	MODEL NO.	HEAD LOSS IN FEET <sup>14</sup>	PSID RANGE	GPM
1/2", 3/4", 1"	YY11	3.5	1-14	.33, .50, .67, 1.00, 1.33, 1.67, 2.00, 2.33, 2.67, 3.33, 4.00, 4.67, 5.00
	YY12	7.4	2-32	.55, .75, 1.00, 1.50, 2.00, 2.50, 3.00, 3.50, 4.00, 5.00, 6.00, 7.00, 8.00
	YY14	13.4	4-57	.75, 1.00, 1.33, 2.00, 2.67, 3.33, 4.00, 4.67, 5.33, 6.67, 8.00, 9.33, 10.00
	YY18	30.0	8-128	1.10, 1.50, 2.00, 3.00, 4.00, 5.00, 6.00, 7.00, 8.00, 10.0, 12.0, 14.0, 16.0
1"L, 1-1/4", 1-1/2"	YY21	3.5	1-14	5.33, 6.00, 6.67, 7.33, 8.00, 8.67, 9.33, 10.00, 10.67, 11.33, 12.00, 12.67, 13.33, 14.00, 14.67
	YY22	7.4	2-32	8.0, 9.0, 10.0, 11.0, 12.0, 13.0, 14.0, 15.0, 16.0, 17.0, 18.0, 19.0, 20.0, 21.0, 22.0
	YY24	13.4	4-57	10.67, 12.0, 13.33, 14.67, 16.0, 17.33, 18.67, 20.00, 21.33, 22.67, 24.0, 25.33, 26.67, 28.0, 29.33
	YY28	30.0	8-128	16.0, 18.0, 20.0, 22.0, 24.0, 26.0, 28.0, 30.0, 32.0, 34.0, 36.0, 38.0, 40.0, 42.0, 44.0
1-1/2"L, 2"	YY31	3.5	1-14	12.0, 14.0, 16.0, 18.0, 20.0, 22.0, 24.0, 26.0, 28.0, 30.0, 32.0, 34.0, 36.0, 38.0
	YY32	7.4	2-32	18.0, 21.0, 24.0, 27.0, 30.0, 33.0, 36.0, 39.0, 42.0, 45.0, 48.0, 51.0, 54.0, 57.0
	YY34	13.4	4-57	24.0, 28.0, 32.0, 36.0, 40.0, 44.0, 48.0, 52.0, 56.0, 60.0, 64.0, 68.0, 72.0, 76.0
	YY38	30.0	8-128	36.0, 42.0, 48.0, 54.0, 60.0, 66.0, 72.0, 78.0, 84.0, 90.0, 96.0, 102, 108, 114

**NOTES**

- <sup>8</sup> Model no. and flow rate are indicated on label affixed to body.
- <sup>9</sup> Bypass is only available on 1/2" to 1-1/2" valve. 1"L to 1-1/2" valves have a bypass that is a line size tee.
- <sup>10</sup> Extension Option includes handle cover and accessory extensions.
- <sup>11</sup> Select the Fixed End First and the Union End Second.
- <sup>12</sup> Tailpiece is not available for this size. Male tailpiece used with coupling.
- <sup>13</sup> Fixed end not available for this size. Union tailpiece only.
- <sup>14</sup> Head Loss in Feet is provided for pump head calculations. (1 PSI = 2.307 Feet of Water)

Replaces form F-4093B and F-4203F

**This specification © 2018 Griswold Controls**

2803 Barranca Parkway, Irvine, CA 92606  
 (949) 559-6000 Fax (949) 559-6088  
 www.GriswoldControls.com

