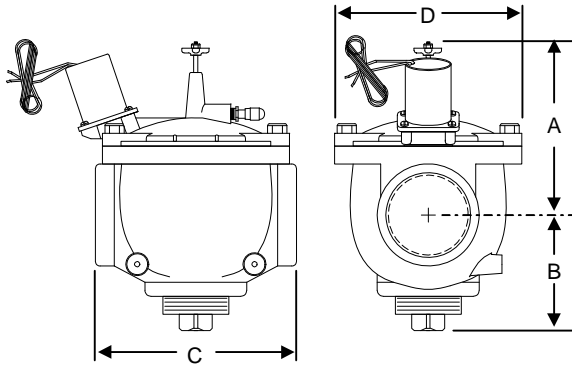


NORMALLY CLOSED VALVE



SPECIFICATIONS:

Operating Pressure:	2 to 200 PSI
Material:	Cast Iron and Bronze
End Connections:	NPT (BSPT Optional)
Voltage Operating Range:	22-28 VAC
Low Current Requirement:	0.40 A at 24 VAC
Assembly:	Valve comes fully assembled
Optional:	Purple Handle for Reclaimed Water
Optional:	Epoxy Coating

DIMENSIONS & WEIGHTS (NOMINAL)

SIZE	MODEL NO.	A (IN)	B (IN)	C (IN)	D (IN)	APPROX SHIP WT IN LBS
1"	2000H	4.25	2.50	4.50	4.00	7.75
1-1/4"	2000J	4.25	2.75	4.50	4.00	7.50
1-1/2"	2000K	6.00	3.00	5.50	4.80	12.25
2"	2000L	6.00	3.25	7.50	6.00	19
2-1/2"	2000M	6.25	3.25	7.50	6.00	22
3"	2000N	6.50	4.50	8.50	6.00	26

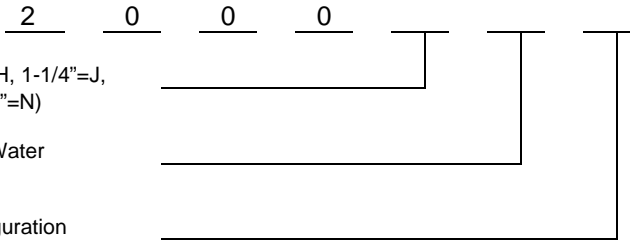
PRESSURE LOSS (PSI) AT VARIOUS FLOWRATES

SIZE	FLOW PATTERN	Cv	FLOWRATE (GPM)																																					
			10	15	20	25	30	35	40	44	50	55	60	65	70	80	90	100	120	140	160	180	200	225	250	275	300	325	350	375	400									
1"	STRAIGHT	13.50	1.0	1.24	2.2	3.4	5.0	6.7	8.8	11.1	13.7	16.6	19.7	CONSULT WITH FACTORY IN THIS RANGE																										
	ANGLE	15.30																											1.7	2.7	3.9	5.2	6.8	8.6	10.7	12.9	15.4			
1-1/4"	STRAIGHT	16.60					1.5	2.3	3.3	4.5	5.8	7.4	9.1	11.0	13.1	15.3	17.8	CONSULT WITH FACTORY IN THIS RANGE																						
	ANGLE	17.80					1.3	2.0	2.8	3.9	5.1	6.4	7.9	9.6	11.4	13.3	15.5																							
1-1/2"	STRAIGHT	26.00							1.3	1.8	2.4	3.0	3.7	4.5	5.0	5.4	7.3	9.5	12.0	14.8	CONSULT WITH FACTORY IN THIS RANGE																			
	ANGLE	29.00							1.1	1.5	1.9	2.4	3.0	3.6	4.3	5.9	6.3	7.6	9.7	11.9																				
2"	STRAIGHT	52.00													1.6	1.8	2.4	3.0	3.7	5.3	7.3	9.5	12.0	14.8	CONSULT WITH FACTORY IN THIS RANGE															
	ANGLE	57.00													1.3	1.5	2.0	2.5	3.1	4.4	6.1	7.9	10.0	12.3																
2-1/2"	STRAIGHT	65.00	USE 1 PSI DROP IN THIS RANGE												1.0	1.2	1.5	1.9	2.4	3.4	4.6	6.1	7.7	9.5	12.0	14.8	17.9	21.3	CONSULT WITH FACTORY IN THIS RANGE											
	ANGLE	72.00																							1.2	1.6	1.9	2.8									3.8	4.9	6.3	7.7
3"	STRAIGHT	83.00																1.2	1.5	2.1	2.8	3.7	4.7	5.8	7.3	9.1	11.0	13.1	15.3	17.8	20.4	23.2	CONSULT WITH FACTORY IN THIS RANGE							
	ANGLE	92.00																1.0	1.2	1.7	2.3	3.0	3.8	4.7	6.0	7.4	8.9	10.6	12.5	14.5	16.6	18.9								

APPLICATIONS

The 2000 Solenoid Control Valve offers maximum performance combined with the reliability you have come to expect from Griswold Controls. Intended for use in a wide variety of irrigation systems, the valve is ideally suited for use as either an On-Off Solenoid Valve or as a General Purpose Master Valve. The 2000_R can be used with Reclaimed Water.

MODEL NUMBER SELECTION



Select a Housing Size (1"=H, 1-1/4"=J, 1-1/2"=K, 2"=L, 2-1/2"=M, 3"=N)

Add an "R" for Reclaimed Water
Add an "E" for Epoxy

Add an "A" for Angle Configuration



DESCRIPTION:

- Normally Closed: Energize Solenoid to Open Valve, De-Energize to Close Valve
- On/Off Solenoid Control Valve
- Watertight Epoxy Molded Solenoid Coil
- Slow Closing
- "No Surge or Hammer" Operation
- Will Throttle Against Flow Without Chatter
- Diaphragm-Disc Assembly Guided by Stainless Steel Stem in all Positions
- Completely Serviceable Without Removing Valve Body from the System

HAMMER-FREE,
CHATTER-FREE
CLOSING:

Instead of an abrupt, sudden closure, Griswold valves close gradually to eliminate water hammer and chatter, regardless of the throttled position of the diaphragm assembly. Notice in the graph how the closing action of the Griswold Valve compares to the abrupt closing action of ordinary valves. Closing speed depends on the size of the valve and flow velocity. A minimum of 5 seconds may be expected from Griswold Valves.

