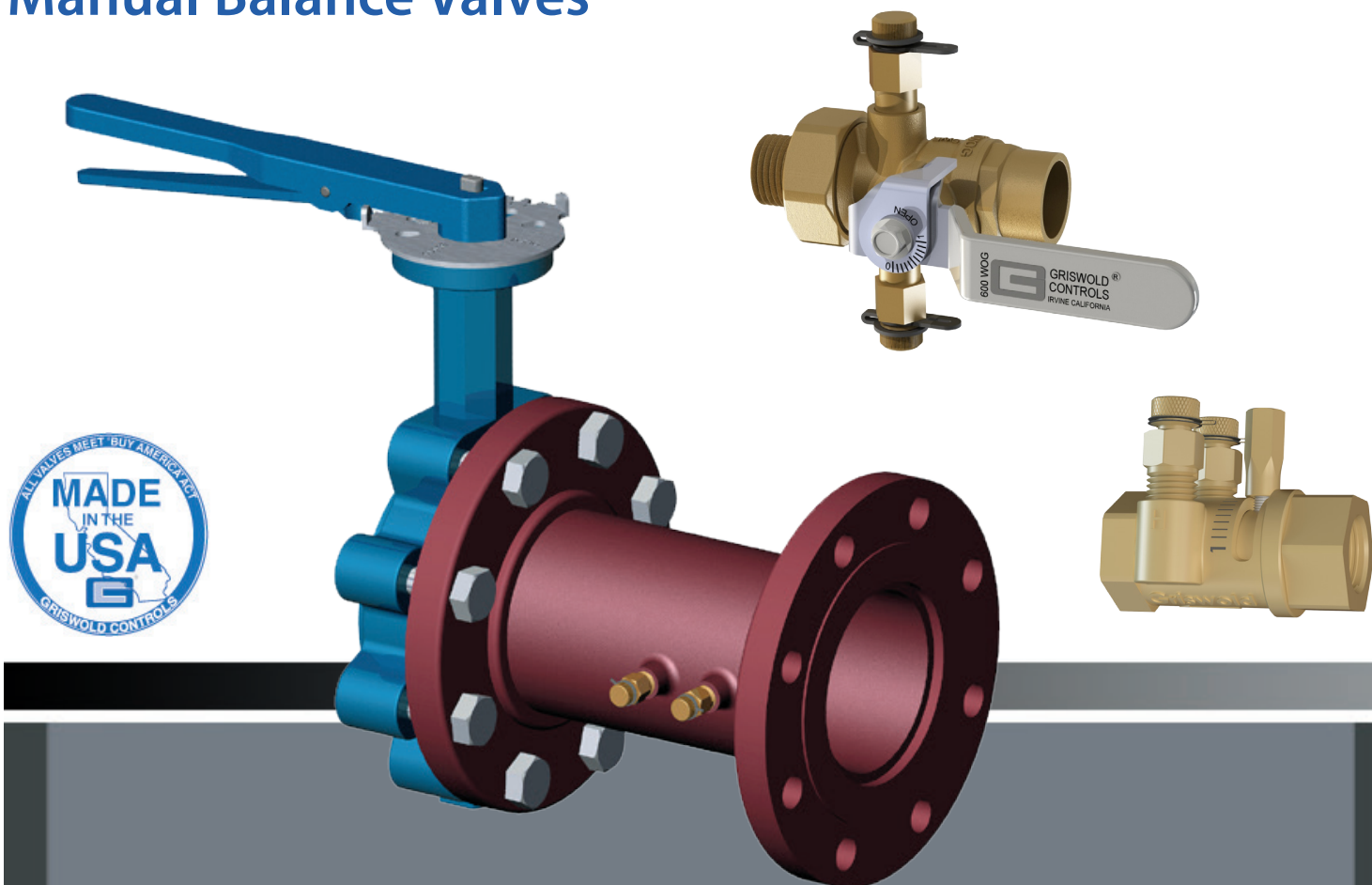


QuickSet[®] and QuickDisc[®]

Manual Balance Valves



Manual Balance Valve Features

- +/-1% machined accuracy of venturi
- Can be installed at elbows or valves - no straight pipe length required before or after
- No installation limitations or rules
- Simple venturi design = no moving parts & no maintenance
- Threaded connections: 1/2" to 2"
- Flange, weld or groove connections: 2-1/2" to 18"
- Compatible with water, glycol and other fluids
- Compact length, typically 1.7 to 2.5 pipe diameters long

Absolute Control. **Optimized Efficiency.**

QuickSet® and QuickDisc® Can Be Installed Downstream of Bends and Other Valves

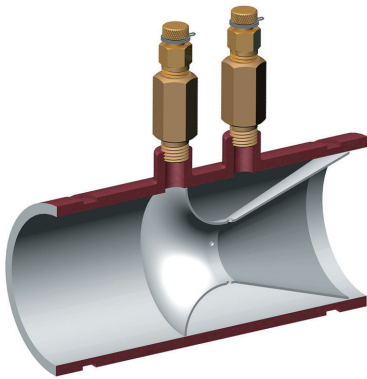
QuickSet® and QuickDisc® valves have built-in straight runs before the venturi. This design feature allows the valves to be installed after an elbow, temperature control or other valves without affecting flow measurement or control.

ASHRAE standard Pitot Tube and Venturi metering stations require four - 10 diameters of straight pipe entry for accurate measurement. Many retrofit jobs don't have four to 10 diameters of space, so accurate measurement is frequently compromised.

Griswold Controls' engineers developed a patented Piezo Ring and dual chamber design, enabling accurate measurement in the smallest footprint. Now engineers can specify to $\pm 1\%$ accuracy and locate the valve with less than four pipe diameters entry piping, or adjacent to an elbow or temperature control. Whether a new or retrofit installation, these valves require only simple and direct piping, saving valuable equipment space and field labor and ensuring quality comfort conditioning and lowering operating costs for owners.

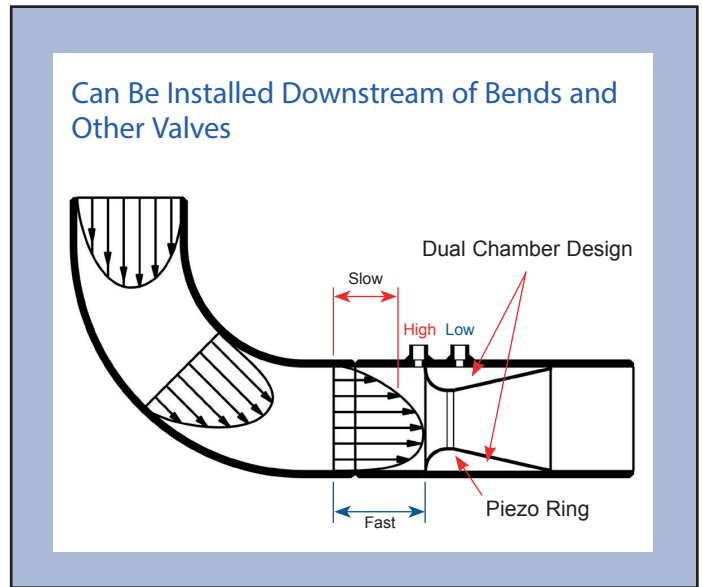
We offer 1/2" to 18" diameter. Threaded and flanged.

High Accuracy, Low Permanent Pressure Loss



The QuickSet® and QuickDisc® manual balance valve's venturi is precisely matched to attain $\pm 1\%$ accuracy throughout its range. The venturi produces a high signal for flow adjustment, while creating very low permanent

pressure loss. The static regain from the venturi allows for full flow of wide-open index circuits with the least amount of pressure loss, thereby minimizing pump head requirements and maximizing system efficiency. A reference chart (Form #F-4439) is included with every valve, supplying all necessary information for any installation.



Electronic Output Signal Option

The QuickSet® manual balance valve is available with an optional electronic output signal from the measuring station. This makes it easy and convenient to integrate the valve into a building's energy management computer system.

