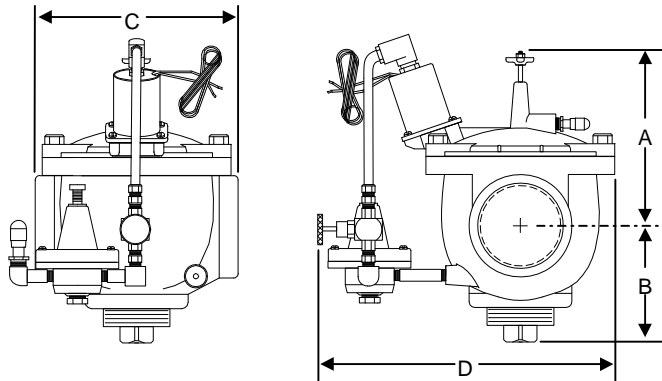


**PRESSURE REDUCING SOLENOID
NORMALLY OPEN VALVE**



SPECIFICATIONS:

| | |
|---------------------------------|-----------------------------------|
| Operating Pressure: | 3 to 200 PSI |
| Regulating Range: | 3 to 200 PSI |
| Pressure Accuracy: | ± 5% |
| Material: | Cast Iron and Bronze |
| End Connections: | NPT (BSPT Optional) |
| Voltage Operating Range: | 22-28 VAC |
| Low Current Requirement: | 0.40 A at 24 VAC |
| Assembly: | Valve comes fully assembled |
| Optional: | Purple Handle for Reclaimed Water |
| Optional: | Epoxy Coating |

DIMENSIONS & WEIGHTS (NOMINAL)

| SIZE | MODEL NO. | A (IN) | B (IN) | C (IN) | D (IN) | APPROX SHIP WT IN LBS |
|--------|-----------|--------|--------|--------|--------|-----------------------|
| 1" | 2260H | 4.25 | 2.50 | 4.50 | 8.00 | 8.50 |
| 1-1/4" | 2260J | 4.25 | 2.75 | 4.50 | 8.00 | 8.25 |
| 1-1/2" | 2260K | 6.00 | 3.00 | 5.50 | 9.50 | 13.25 |
| 2" | 2260L | 6.00 | 3.25 | 7.50 | 10.00 | 19.75 |
| 2-1/2" | 2260M | 6.25 | 3.25 | 7.50 | 10.00 | 22.75 |
| 3" | 2260N | 6.50 | 4.50 | 8.50 | 10.50 | 27 |

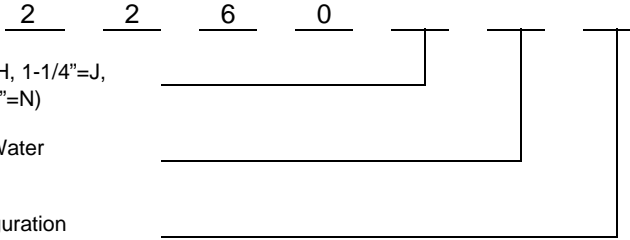
PRESSURE LOSS (PSI) AT VARIOUS FLOWRATES

| SIZE | FLOW PATTERN | Cv | FLOWRATE (GPM) | | | | | | | | | | | | | | | | | | | | | | | | | | | | | | | | | | | |
|--------|--------------|-------|-------------------------------------|------|-----|-----|-----|-----|------|------|------|------|---|---|---|------|------|---|-----|-----|-----|-----|------|------|------|------|---|-----|-----|-----|-----|--|--|--|--|--|--|--|
| | | | 10 | 15 | 20 | 25 | 30 | 35 | 40 | 44 | 50 | 55 | 60 | 65 | 70 | 80 | 90 | 100 | 120 | 140 | 160 | 180 | 200 | 225 | 250 | 275 | 300 | 325 | 350 | 375 | 400 | | | | | | | |
| 1" | STRAIGHT | 13.50 | 1.0 | 1.24 | 2.2 | 3.4 | 5.0 | 6.7 | 8.8 | 11.1 | 13.7 | 16.6 | 19.7 | CONSULT WITH FACTORY IN THIS RANGE | | | | | | | | | | | | | | | | | | | | | | | | |
| | ANGLE | 15.30 | 1.7 | 2.7 | 3.9 | 5.2 | 6.8 | 8.6 | 10.7 | 12.9 | 15.4 | | | | | | | | | | | | | | | | | | | | | | | | | | | |
| 1-1/4" | STRAIGHT | 16.60 | 1.5 | 2.3 | 3.3 | 4.5 | 5.8 | 7.4 | 9.1 | 11.0 | 13.1 | 15.3 | 17.8 | CONSULT WITH FACTORY IN THIS RANGE | | | | | | | | | | | | | | | | | | | | | | | | |
| | ANGLE | 17.80 | 1.3 | 2.0 | 2.8 | 3.9 | 5.1 | 6.4 | 7.9 | 9.6 | 11.4 | 13.3 | 15.5 | | | | | | | | | | | | | | | | | | | | | | | | | |
| 1-1/2" | STRAIGHT | 26.00 | 1.3 | 1.8 | 2.4 | 3.0 | 3.7 | 4.5 | 5.0 | 5.4 | 7.3 | 9.5 | 12.0 | 14.8 | CONSULT WITH FACTORY IN THIS RANGE | | | | | | | | | | | | | | | | | | | | | | | |
| | ANGLE | 29.00 | 1.1 | 1.5 | 1.9 | 2.4 | 3.0 | 3.6 | 4.3 | 5.9 | 6.3 | 7.6 | 9.7 | 11.9 | | | | | | | | | | | | | | | | | | | | | | | | |
| 2" | STRAIGHT | 52.00 | 1.6 | 1.8 | 2.4 | 3.0 | 3.7 | 5.3 | 7.3 | 9.5 | 12.0 | 14.8 | CONSULT WITH FACTORY IN THIS RANGE | | | | | | | | | | | | | | | | | | | | | | | | | |
| | ANGLE | 57.00 | 1.3 | 1.5 | 2.0 | 2.5 | 3.1 | 4.4 | 6.1 | 7.9 | 10.0 | 12.3 | | | | | | | | | | | | | | | | | | | | | | | | | | |
| 2-1/2" | STRAIGHT | 65.00 | USE 1 PSI DROP IN THIS RANGE | | | | | | | | | | 1.0 | 1.2 | 1.5 | 1.9 | 2.4 | 3.4 | 4.6 | 6.1 | 7.7 | 9.5 | 12.0 | 14.8 | 17.9 | 21.3 | CONSULT WITH FACTORY IN THIS RANGE | | | | | | | | | | | |
| | ANGLE | 72.00 | 1.2 | 1.6 | 1.9 | 2.8 | 3.8 | 4.9 | 6.3 | 7.7 | 9.8 | 12.0 | 14.6 | 17.4 | | | | | | | | | | | | | | | | | | | | | | | | |
| 3" | STRAIGHT | 83.00 | 1.2 | 1.5 | 2.1 | 2.8 | 3.7 | 4.7 | 5.8 | 7.3 | 9.1 | 11.0 | 13.1 | 15.3 | 17.8 | 20.4 | 23.2 | CONSULT WITH FACTORY IN THIS RANGE | | | | | | | | | | | | | | | | | | | | |
| | ANGLE | 92.00 | 1.0 | 1.2 | 1.7 | 2.3 | 3.0 | 3.8 | 4.7 | 6.0 | 7.4 | 8.9 | 10.6 | 12.5 | 14.5 | 16.6 | 18.9 | | | | | | | | | | | | | | | | | | | | | |

APPLICATIONS

The 2260 Pressure Reducing Solenoid Valve offers maximum performance combined with the reliability you have come to expect from Griswold Controls. Intended for use in a wide variety of irrigation systems, the valve can be used on slopes, banks, and hilly terrain with no performance loss, making it the right choice for golf course irrigation. The 2260 is designed for use as a normally-open master valve. The 2260_R can be used with Reclaimed Water.

MODEL NUMBER SELECTION



Select a Housing Size (1"=H, 1-1/4"=J, 1-1/2"=K, 2"=L, 2-1/2"=M, 3"=N)

Add an "R" for Reclaimed Water
Add an "E" for Epoxy

Add an "A" for Angle Configuration



DESCRIPTION:

- Normally Open: Energize Solenoid to Close Valve, De-Energize to Open Valve
- On/Off
- Solenoid Control Valve
- Watertight Epoxy Molded Solenoid Coil
- Slow Closing
- "No Surge or Hammer" Operation
- Will Throttle Against Flow Without Chatter
- Diaphragm-Disc Assembly Guided by Stainless Steel Stem in all Positions
- Completely Serviceable Without Removing Valve Body from the System

HAMMER-FREE, CHATTER-FREE CLOSING:

Instead of an abrupt, sudden closure, Griswold valves close gradually to eliminate water hammer and chatter, regardless of the throttled position of the diaphragm assembly. Notice in the graph how the closing action of the Griswold Valve compares to the abrupt closing action of ordinary valves. Closing speed depends on the size of the valve and flow velocity. A minimum of 5 seconds may be expected from Griswold Valves.

