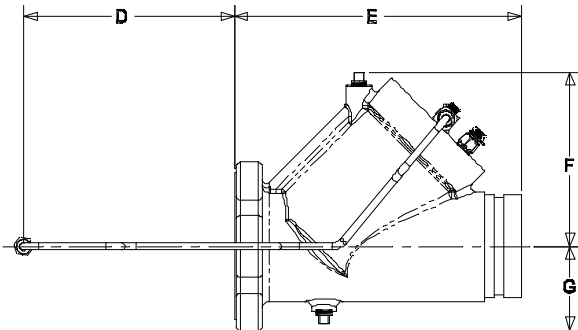


**PRESSURE INDEPENDENT MODULE-ADJUSTABLE (PATENT PENDING)**

**SPECIFICATIONS**

**PSI/Temperature Rating:** 240 PSI / 250°F  
**Adjustable PSID Range:** 4-25 PSID  
**Adjustable Cap<sup>1</sup>:** Adjusted with 1/2" Allen Key  
**Service:** Chilled water, hot water, up to 50% Glycol, or contact factory for additional fluids.  
**Body Material:** Cast Iron ASTM A395, 60-40-18  
**Pipe Material:** Copper  
**Connections:** Grooved End or Flanged<sup>2</sup> (Flanged valve includes grooved to flange adapters that are compatible with ANSI B 16.5-1968 150 lb. Steel flanges)  
**Cartridge:** AISI Type 304 stainless steel  
**O-rings/Diaphragm:** EPDM  
**Accessories:** Combination P/T Test Valve and Manual Air Vent (CPTA) Standard



**DIMENSIONS & WEIGHTS (NOMINAL) (measured in inches/lbs. unless noted)**

| SIZE   | A HEIGHT | F HEIGHT | G HEIGHT | C DEPTH | E LENGTH | D PIPE LENGTH <sup>3</sup> | WEIGHT |
|--------|----------|----------|----------|---------|----------|----------------------------|--------|
| 3" FxG | 8.8      | 6.0      | 2.9      | 5.8     | 9.8      | 2 FT.                      | 18.0   |
| 3" FxF |          |          |          |         | 23.3     |                            |        |
| 3" GxG |          |          |          |         | 15.8     |                            | 27.0   |
| 4" FxG | 13.9     | 8.6      | 5.3      | 9.0     | 15.0     |                            | 58.0   |
| 4" FxF |          |          |          |         | 65.4     |                            |        |
| 4" GxG |          |          |          |         | 21.0     |                            | 72.0   |
| 6" FxG | 17.0     | 11.3     | 5.7      | 11.0    | 18.3     |                            | 95.0   |
| 6" FxF |          |          |          |         | 104.9    |                            |        |
| 6" GxG |          |          |          |         | 26.8     |                            | 125.0  |

**NOTES:**

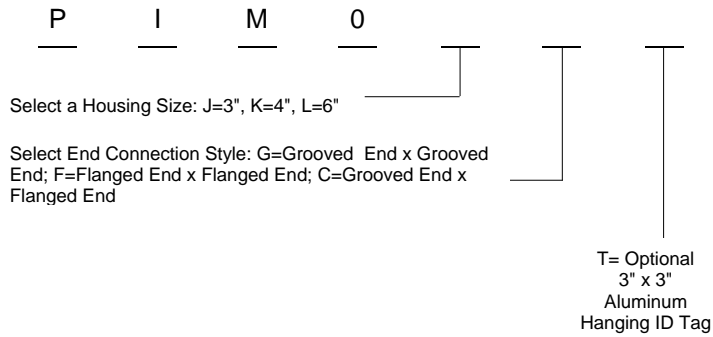
- <sup>1</sup> The Allen Key should be turned slowly, approximately one turn every 10 seconds.
- <sup>2</sup> Grooved End by Flanged End shown. Flanged End by Flanged End available and Grooved End by Grooved End available.
- <sup>3</sup> Pipe should be piped to upstream port.



**FLOW RANGE (+/-5%)**

| SIZE | MAX PSID | MAX GPM | Cv <sup>4</sup> |
|------|----------|---------|-----------------|
| 3"   | 60       | 145     | 80              |
| 4"   | 60       | 365     | 140             |
| 6"   | 60       | 525     | 300             |

**MODEL NUMBER SELECTION**



**NOTES:**

<sup>4</sup> To determine flowrate at a specific PSID the Cv calculation can be used.  $GPM=Cv \cdot \sqrt{PSID}$